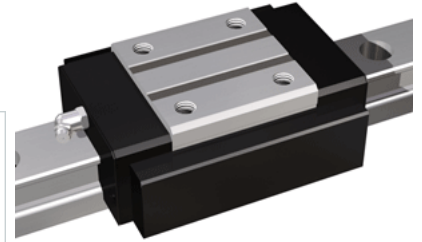
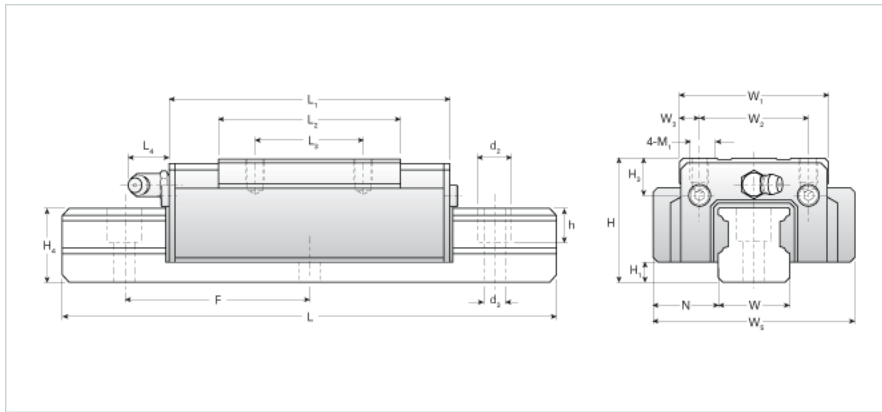


## NH65TR Assembly

Call 800-321-7800 or visit us online at [www.nookindustries.com](http://www.nookindustries.com) to configure and order your NH65TR Assembly today!



<b>Dimensions</b>	
H [mm]	90
H1 [mm]	14
N [mm]	31.5
<b>Metric Profile Rail (Rail)Details</b>	
Size [mm]	65
Type	Standard
<b>(Rail)Dimensions</b>	
d2 [mm]	26
d3 [mm]	18
h [mm]	25
H4 [mm]	58
F [mm]	150
W [mm]	63
Maximum Length [mm]	3000
<b>(Rail)Weight</b>	
Weights-Rail [kg/m]	24.9
<b>Metric Runner Block, Heavy Load, High Speed, 4 Tapped Holes On Runner Block (Runner Block)Details</b>	
Size [mm]	65
<b>(Runner Block)Dimensions</b>	
H3 [mm]	23
L1 [mm]	225
L2 [mm]	148
L3 [mm]	90
L4 [mm]	23
M1 x l	M16x20
W1 [mm]	126
W2 [mm]	90
W3 [mm]	18
W5 [mm]	162
<b>(Runner Block)Forces and Torques</b>	
Basic Load Ratings C [kN]	141.11
Basic Load Ratings C [lbf]	31714
Basic Load Ratings C0 [kN]	215.15
Basic Load Ratings C0 [lbf]	48354
Static Moment Ratings-Ma [kN-m]	4.21
Static Moment Ratings-Ma [lb-in]	37237
Static Moment Ratings-Mb [kN-m]	4.21
Static Moment Ratings-Mb [lb-in]	37237
Static Moment Ratings-Mc [kN-m]	7.38
Static Moment Ratings-Mc [lb-in]	65360
<b>(Runner Block)Weight</b>	
Weight-Block [kg]	8.70
<b>(Runner Block)Grease Fitting</b>	
Grease Fitting Part Number	B-PT 1/8