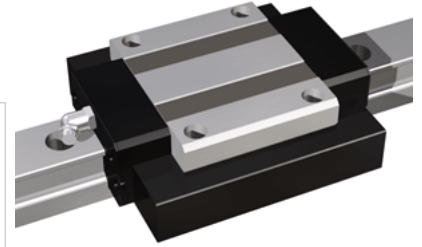
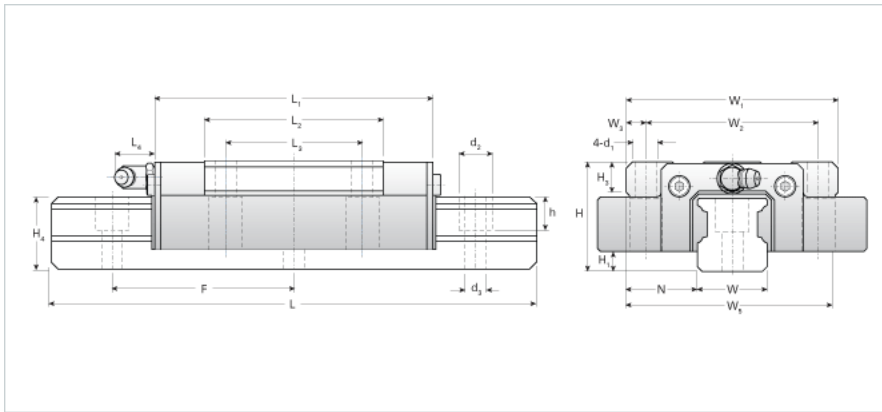


## NH20TB Assembly

Call 800-321-7800 or visit us online at [www.nookindustries.com](http://www.nookindustries.com) to configure and order your NH20TB Assembly today!



<b>Dimensions</b>	
H [mm]	30
H1 [mm]	5
N [mm]	21.5
<b>Metric Profile Rail (Rail)Details</b>	
Size [mm]	20
Type	Standard
<b>(Rail)Dimensions</b>	
d2 [mm]	9.5
d3 [mm]	6
h [mm]	11
H4 [mm]	21
F [mm]	60
W [mm]	20
Maximum Length [mm]	3000
<b>(Rail)Weight</b>	
Weights-Rail [kg/m]	2.5
<b>Metric Runner Block, Heavy Load, High Speed, 4 Through Holes On Flange (Runner Block)Details</b>	
Size [mm]	20
<b>(Runner Block)Dimensions</b>	
L1 [mm]	91
L2 [mm]	58
L3 [mm]	40
L4 [mm]	0
d1 x l	M6x10
H3 [mm]	8
W1 [mm]	63
W2 [mm]	53
W3 [mm]	5
W5 [mm]	79
<b>(Runner Block)Forces and Torques</b>	
Basic Load Ratings C [kN]	13.92
Basic Load Ratings C [lbf]	3130
Basic Load Ratings C0 [kN]	23.83
Basic Load Ratings C0 [lbf]	5157
Static Moment Ratings-Ma [kN-m]	0.16
Static Moment Ratings-Ma [lb-in]	1389
Static Moment Ratings-Mb [kN-m]	0.16
Static Moment Ratings-Mb [lb-in]	1389
Static Moment Ratings-Mc [kN-m]	0.26
Static Moment Ratings-Mc [lb-in]	2344
<b>(Runner Block)Weight</b>	
Weight-Block [kg]	0.40
<b>(Runner Block)Grease Fitting</b>	
Grease Fitting Part Number	NAS516-1A