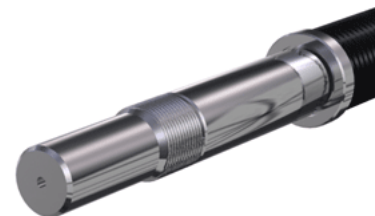
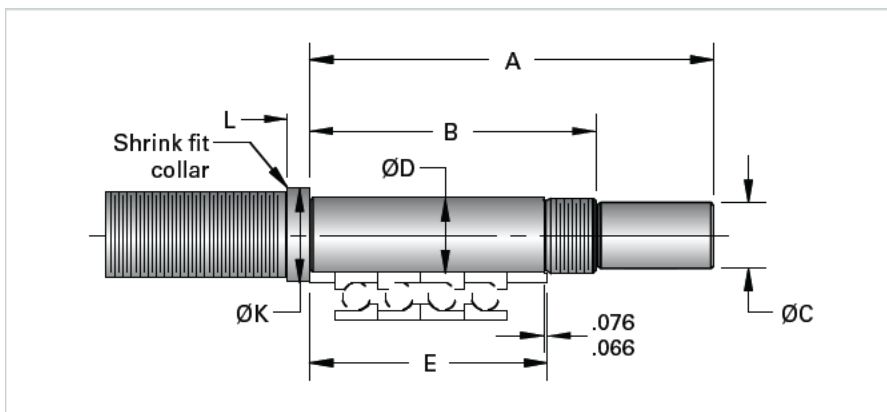


Type 5L, End Code 35

Call 800-321-7800 or visit us online at www.nookindustries.com to configure and order your Type 5L, End Code 35 today!



Product Info

Nominal Bearing Journal Size [mm] 35

Dimensions

A [mm]	205
B [mm]	143
C Maximum [mm]	30.00
C Minimum [mm]	29.97
D Maximum [mm]	35.011
D Minimum [mm]	34.995
E [mm]	117
K [mm]	45
L [mm]	10
Lock Nut	SFZ 35X1.5