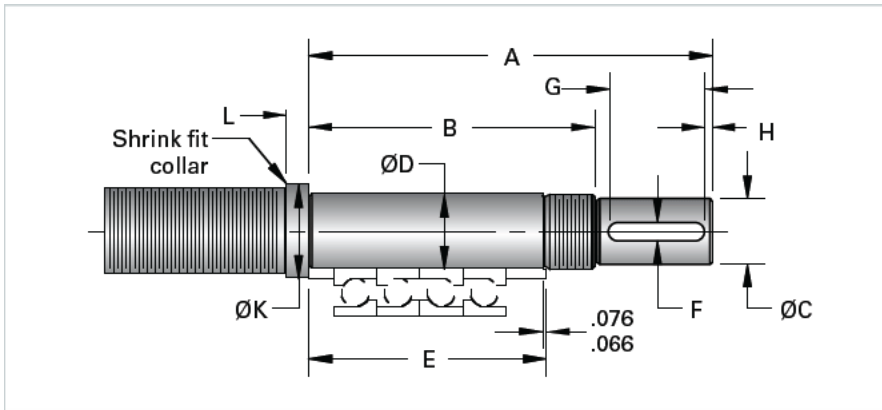


Type 5K, End Code 25

Call 800-321-7800 or visit us online at www.nookindustries.com to configure and order your Type 5K, End Code 25 today!



Product Info

Nominal Bearing Journal Size [mm] 25

Dimensions

| | |
|----------------|------------|
| A [mm] | 170 |
| B [mm] | 119 |
| C Maximum [mm] | 20 |
| C Minimum [mm] | 19.97 |
| D Maximum [mm] | 25.009 |
| D Minimum [mm] | 24.996 |
| E [mm] | 95 |
| F [mm] | 6 |
| G [mm] | 41 |
| H [mm] | 5 |
| K [mm] | 32 |
| L [mm] | 10 |
| Lock Nut | SFZ 25X1.5 |