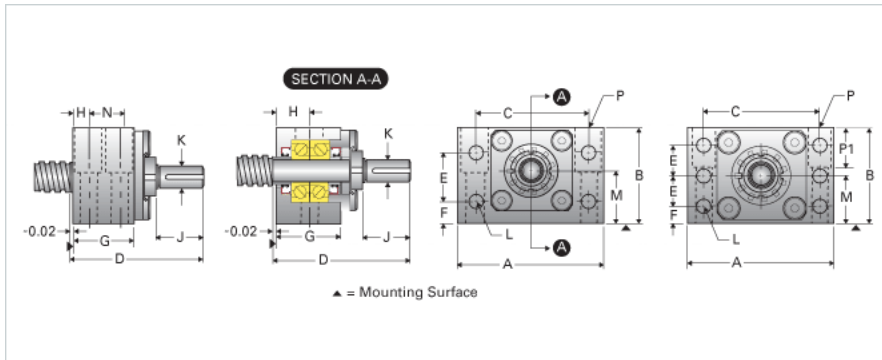


## EZZE-MOUNT EZM-3080

Call 800-321-7800 or visit us online at [www.nookindustries.com](http://www.nookindustries.com) to configure and order your EZZE-MOUNT EZM-3080 today!



### Product Info

Part Number	EZM-3080
Machined End Code	80
Nominal Bearing Journal Size [mm]	80

### Dimensions

A [in]	12.50
B [in]	8.50
C [in]	10.00
D [in]	11.56
E [in]	2.75
F [in]	1.75
G [in]	5.13
H [in]	1.22
J [in]	4.69
K Shaft Diameter Maximum [in]	3.000
K Shaft Diameter Minimum [in]	2.998
L Holes [Number of Holes]	6
L Thru [in]	1.28
M [in]	4.500
N [in]	2.68
P C'Bore [in]	1.94
P P1 [in]	4.75
Q [in]	-
P - Bolt Size (2 or 4)	1 1/4 x4 3/4(4)
P-Thru [in]	1.28

### Weight

Weight [lb]	119.75
-------------	--------