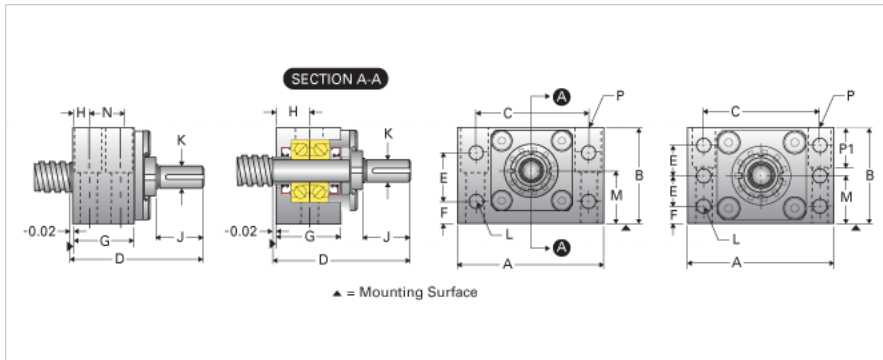
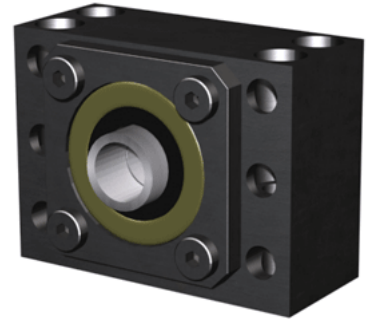


EZZE-MOUNT EZM-3060

Call 800-321-7800 or visit us online at www.nookindustries.com to configure and order your EZZE-MOUNT EZM-3060 today!



Product Info

Part Number	EZM-3060
Machined End Code	60
Nominal Bearing Journal Size [mm]	60

Dimensions

A [in]	10.00
B [in]	7.50
C [in]	8.00
D [in]	9.22
E [in]	2.50
F [in]	1.50
G [in]	4.19
H [in]	1.03
J [in]	3.68
K Shaft Diameter Maximum [in]	2.250
K Shaft Diameter Minimum [in]	2.249
L Holes [Number of Holes]	6
L Thru [in]	1.03
M [in]	4.000
N [in]	2.13
P C'Bore [in]	1.56
P P1 [in]	4.00
Q [in]	1.22
P - Bolt Size (2 or 4)	1 x 5(4)
P-Thru [in]	1.03

Weight

Weight [lb]	71.60
-------------	-------