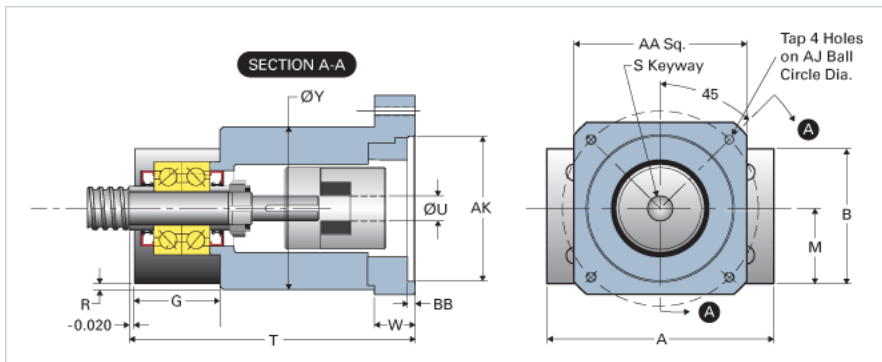
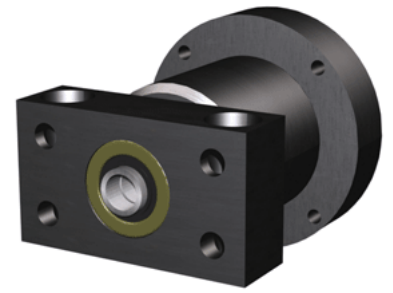


EZZE-MOUNT EZM-2030-56

Call 800-321-7800 or visit us online at www.nookindustries.com to configure and order your EZZE-MOUNT EZM-2030-56 today!



Product Info

Part Number	EZM-2030-56
Reference Code	U5
Machined End Code	30
Nema Frame Reference	56
Nominal Bearing Journal Size [mm]	30

Dimensions

A [in]	6.50
AA [in]	6.63 dia.
AJ [in]	5.875
AK Maximum [in]	4.506
AK Minimum [in]	4.502
B [in]	3.69
BB [in]	0.19
[in]	4.75
D [in]	4.86
E [in]	2.00
F [in]	0.88
G [in]	1.94
H [in]	0.97
J [in]	1.81
K Shaft Diameter Maximum [in]	1.000
K Shaft Diameter Minimum [in]	0.999
L Holes [Number of Holes]	4
L Thru [in]	0.660
M [in]	1.875
N	-
Q [in]	0.52
R [in]	0.31
S [in]	0.188
T [in]	7.78
U [in]	0.63
W [in]	1.62
Y [in]	4.38
P - Bolt Count	2
P - Bolt Size	7/8 x 3 1/4
P - C'Bore [in]	1.38
P - P1 [in]	1.75
P - Thru [in]	0.91
TAP	0.41 dia. Thru