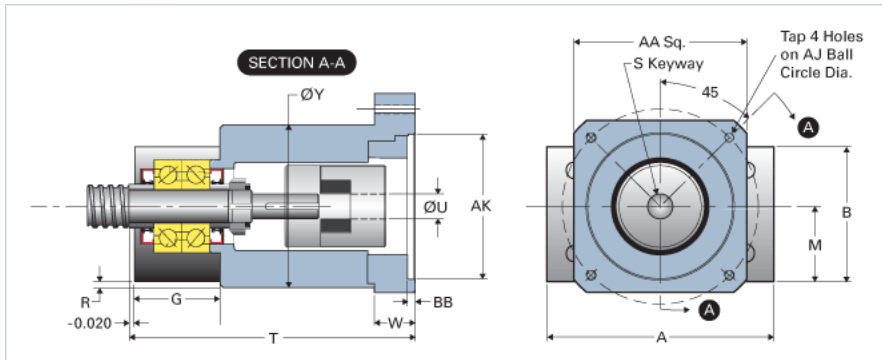
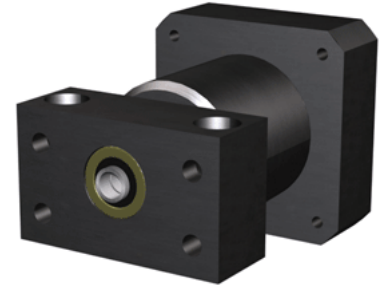


EZZE-MOUNT EZM-3017-42

Call 800-321-7800 or visit us online at www.nookindustries.com to configure and order your EZZE-MOUNT EZM-3017-42 today!



Product Info

| | |
|-----------------------------------|-------------|
| Part Number | EZM-3017-42 |
| Reference Code | U4 |
| Machined End Code | 17 |
| Nema Frame Reference | 42 |
| Nominal Bearing Journal Size [mm] | 17 |

Dimensions

| | |
|-------------------------------|-------------|
| A [in] | 4.50 |
| AA [in] | 4.50 |
| AJ [in] | 5.000 |
| AK Maximum [in] | 2.508 |
| AK Minimum [in] | 2.504 |
| B [in] | 2.69 |
| BB [in] | 0.19 |
| [in] | 3.38 |
| D [in] | 3.65 |
| E [in] | 1.38 |
| F [in] | 0.62 |
| G [in] | 1.69 |
| H [in] | 0.84 |
| J [in] | 1.30 |
| K Shaft Diameter Maximum [in] | 0.500 |
| K Shaft Diameter Minimum [in] | 0.499 |
| L Holes [Number of Holes] | 4 |
| L Thru [in] | 0.410 |
| M [in] | 1.500 |
| N | - |
| Q [in] | 0.38 |
| R [in] | 0.13 |
| S [in] | 0.188 |
| T [in] | 6.31 |
| U [in] | 0.63 |
| W [in] | 1.56 |
| Y [in] | 3.12 |
| P - Bolt Count | 2 |
| P - Bolt Size | 1/2 x 2 1/4 |
| P - C'Bore [in] | 0.88 |
| P - P1 [in] | 1.25 |
| P - Thru [in] | 0.53 |
| TAP | 1/4"-20 |