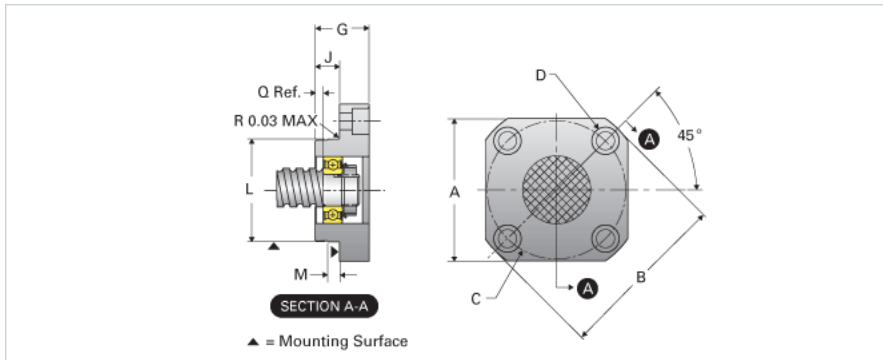
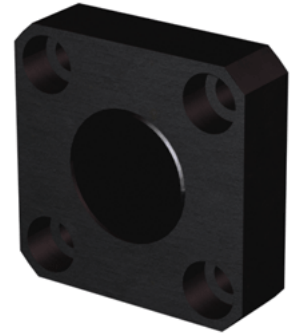


EZZE-MOUNT EZF-4010

Call 800-321-7800 or visit us online at www.nookindustries.com to configure and order your EZZE-MOUNT EZF-4010 today!



Product Info

Part Number	EZF-4010
Machined End Code	10
Nominal Bearing Journal Size [mm]	10

Dimensions

A [in]	2.00
B - Diameter [in]	2.60
C Bolt Circle [in]	2.000
C'Bore [in]	0.44
D Thru [in]	0.266
G [in]	1.00
J [in]	0.44
L Maximum [in]	1.4957
L Minimum [in]	1.4951
M [in]	0.190
Q [in]	0.13

Weight

Weight [lb]	0.70
-------------	------