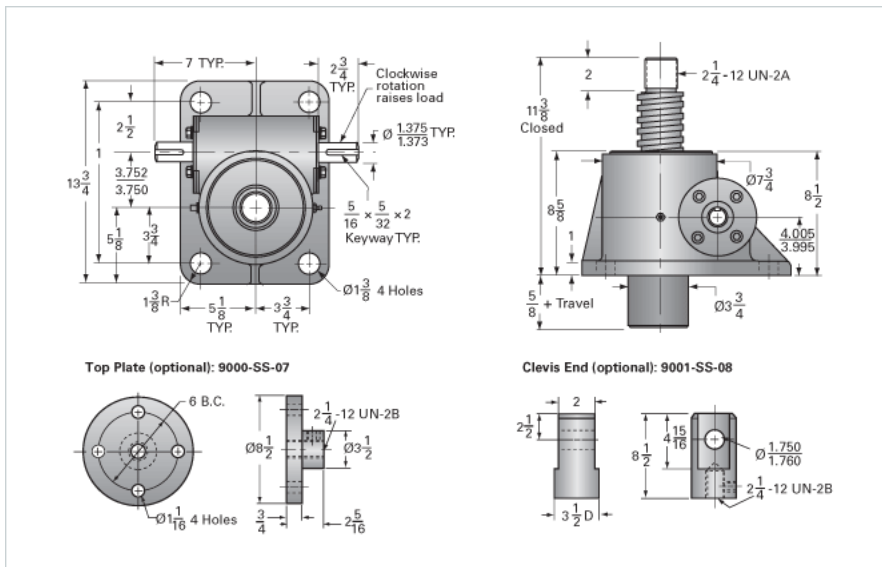
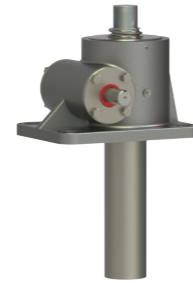


## ActionJac 25SS-MSJ-U 10 2/3:1

Call 800-321-7800 or visit us online at [www.nookindustries.com](http://www.nookindustries.com) to configure and order your ActionJac 25SS-MSJ-U 10 2/3:1 today!



### Details

|                               |          |
|-------------------------------|----------|
| Capacity [Ton]                | 8.3      |
| Gear Ratio                    | 10 2/3:1 |
| Turns of Worm per Inch Travel | 16       |
| Torque to Raise 1 lb. [in-lb] | 0.0452   |
| Lifting Screw Diameter [in]   | 3.00     |
| Screw Lead [in]               | 0.667    |
| Root Diameter [in]            | 2.287    |
| Tare Drag Torque [in-lb]      | 50       |

### Performance Specifications

|                              |                    |
|------------------------------|--------------------|
| Maximum Allowable Input [hp] | 11.00              |
| Maximum Input Torque [in-lb] | 903                |
| Maximum Load at 1750 RPM     | 8764               |
| Starting Torque              | 2 x Running Torque |

### Weight

|                         |      |
|-------------------------|------|
| Base 0 Travel [lb]      | 155  |
| Per Inch of Travel [lb] | 3.10 |
| Grease [lb]             | 3.5  |