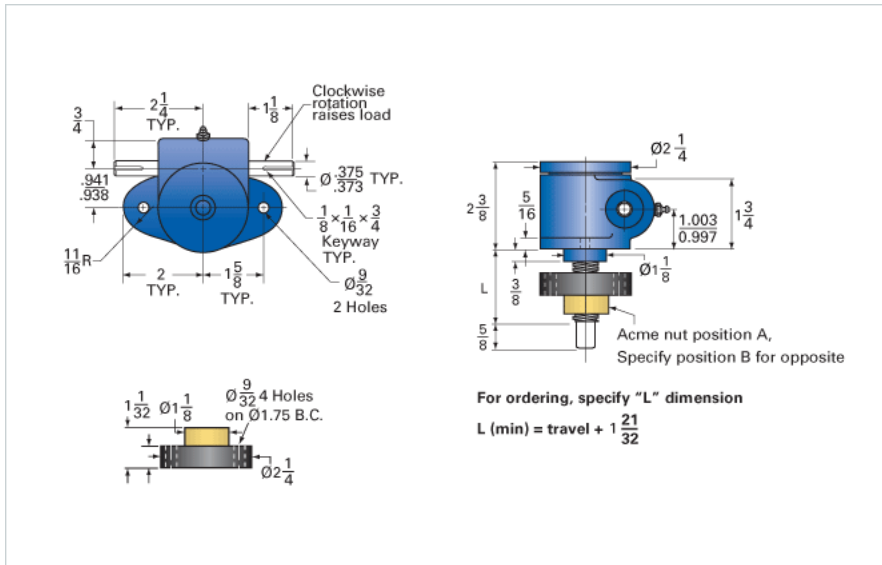


## ActionJac MJ-40-IR 5:1

Call 800-321-7800 or visit us online at [www.nookindustries.com](http://www.nookindustries.com) to configure and order your ActionJac MJ-40-IR 5:1 today!



### Details

Capacity [Ton]	0.5
Gear Ratio	5:1
Turns of Worm Per Inch Travel	40
Torque to Raise 1 lb. [in-lb]	0.0170
Lifting Screw Diameter [in]	0.63
Screw Lead [in]	0.125
Root Diameter [in]	0.457
Tare Drag Torque [in-lb]	1

### Performance Specifications

Maximum Allowable Input [hp]	0.33
Maximum Input Torque [in-lb]	16.7
Compression Loading Maximum Travel at 1000 lbs. [lbs]	11.88
Compression Loading Maximum Travel at Any Load [lbs]	11.88
Maximum Worm Speed at Rated Load [rpm]	1260
Travel Rate at 1750 rpm [in/min]	45
Maximum Load at 1750 RPM [lb]	700
Starting Torque	2 x Running Torque

### Weight

Base 0 Travel [lb]	2.5
Per Inch of Travel [lb]	0.20
Grease [lb]	0.5