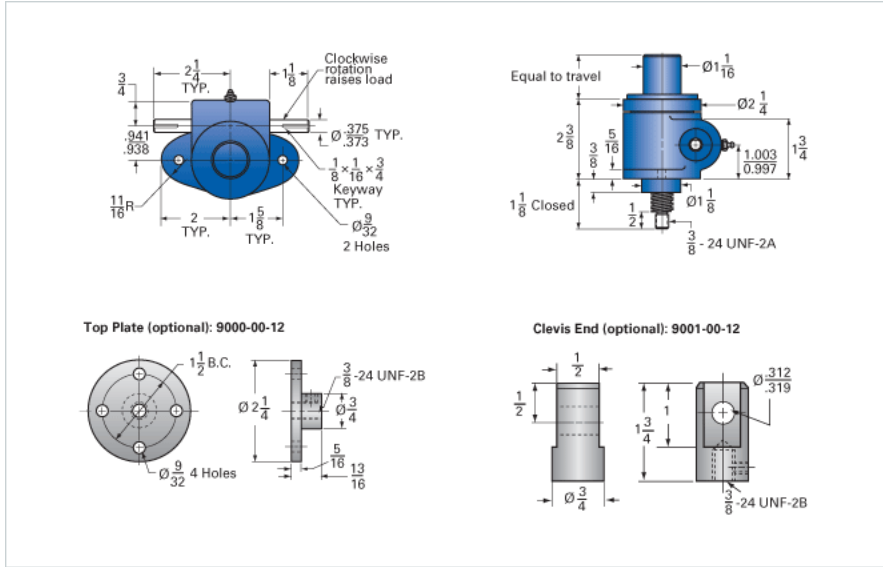


ActionJac MJAB-160-I 20:1

Call 800-321-7800 or visit us online at [www.nookindustries.com](http://www.nookindustries.com) to configure and order your ActionJac MJAB-160-I 20:1 today!



Details	
Capacity [Ton]	0.5
Gear Ratio	20:1
Turns of Worm Per Inch Travel	160
Torque to Raise 1 lb. [in-lb]	0.0070
Lifting Screw Diameter [in]	0.63
Screw Lead [in]	0.125
Root Diameter [in]	0.457
Tare Drag Torque [in-lb]	1
Performance Specifications	
Maximum Allowable Input [hp]	0.17
Maximum Input Torque [in-lb]	7
Compression Loading Maximum Travel at 1000 lbs. [lbs]	11.88
Compression Loading Maximum Travel at Any Load [lbs]	11.88
Maximum Worm Speed at Rated Load [rpm]	1500
Travel Rate at 1750 rpm [in/min]	11.2
Maximum Load at 1750 RPM [lb]	830
Starting Torque	2 x Running Torque
Weight	
Base 0 Travel [lb]	2.5
Per Inch of Travel [lb]	0.20
Grease [lb]	0.5