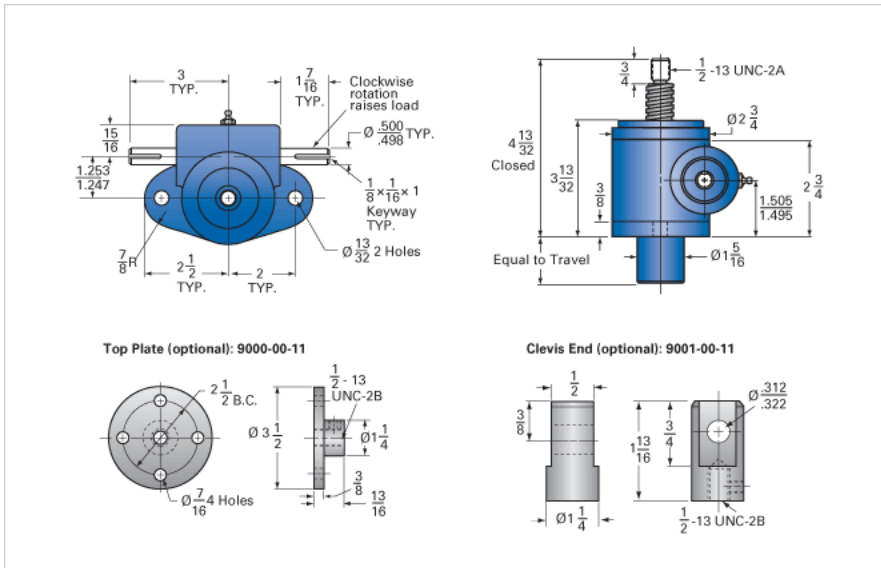


## ActionJac 1AB-MSJ-U 5:1

Call 800-321-7800 or visit us online at [www.nookindustries.com](http://www.nookindustries.com) to configure and order your ActionJac 1AB-MSJ-U 5:1 today!



### Details

|                               |        |
|-------------------------------|--------|
| Capacity [Ton]                | 1      |
| Gear Ratio                    | 5:1    |
| Turns of Worm per Inch Travel | 25     |
| Torque to Raise 1 lb. [in-lb] | 0.0225 |
| Lifting Screw Diameter [in]   | 0.75   |
| Screw Lead [in]               | 0.200  |
| Root Diameter [in]            | 0.502  |
| Tare Drag Torque [in-lb]      | 3      |

### Performance Specifications

|  |                    |
|--|--------------------|
| Maximum Allowable Input [hp]           | 0.50               |
| Maximum Input Torque [in-lb]           | 45                 |
| Maximum Worm Speed at Rated Load [rpm] | 700                |
| Maximum Load at 1750 RPM [lb]          | 800                |
| Starting Torque                        | 2 x Running Torque |

### Weight

|                         |      |
|-------------------------|------|
| Base 0 Travel [lb]      | 5.5  |
| Per Inch of Travel [lb] | 0.30 |
| Grease [lb]             | 0.5  |