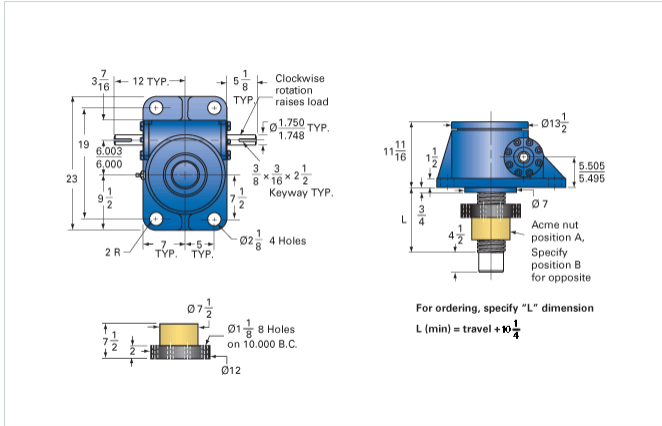


## ActionJac 75-MSJ-IR 32:1

Call 800-321-7800 or visit us online at [www.nookindustries.com](http://www.nookindustries.com) to configure and order your ActionJac 75-MSJ-IR 32:1 today!



### Details

Capacity [Ton]	75
Gear Ratio	32:1
Turns of Worm per Inch Travel	48
Torque to Raise 1 lb. [in-lb]	0.0252
Lifting Screw Diameter [in]	5.00
Screw Lead [in]	0.667
Root Diameter [in]	4.286
Tare Drag Torque [in-lb]	155

### Performance Specifications

Maximum Allowable Input [hp]	9.00
Maximum Input Torque [in-lb]	3780
Maximum Worm Speed at Rated Load [rpm]	150
Maximum Load at 1750 RPM [lb]	12862
Starting Torque	2 x Running Torque

### Weight

Base 0 Travel [lb]	310
Per Inch of Travel [lb]	6.50
Grease [lb]	9.0