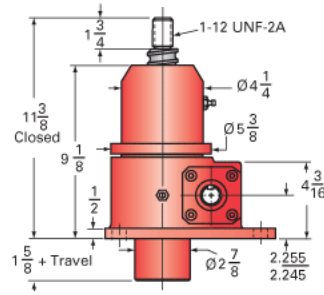
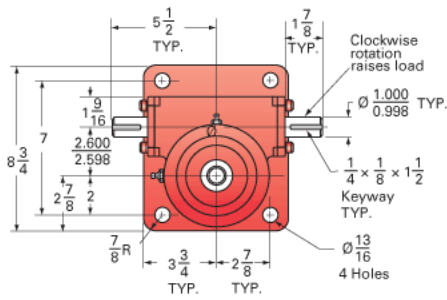
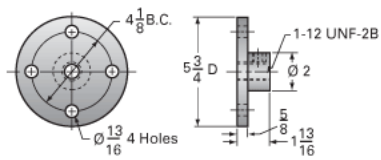


## ActionJac 10-BSJ-U 24:1

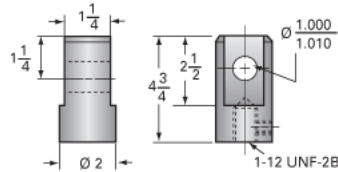
Call 800-321-7800 or visit us online at [www.nookindustries.com](http://www.nookindustries.com) to configure and order your ActionJac 10-BSJ-U 24:1 today!



Top Plate (optional): 9000-00-04



Clevis End (optional): 9001-00-04



### Details

Capacity [Ton]	10
Gear Ratio	24:1
Turns of Worm per Inch Travel	50.66
Torque to Raise 1 lb. [in-lb]	0.0077
Lifting Screw Diameter [in]	1.50
Screw Lead [in]	0.473
Root Diameter [in]	1.140
BackDrive Holding Torque [ft-lb]	4
Tare Drag Torque [in-lb]	20

### Performance Specifications

Maximum Allowable Input [hp]	1.50
Maximum Input Torque [in-lb]	153
Maximum Worm Speed at Rated Load [rpm]	618
Maximum Load at 1750 RPM [lb]	7016
Starting Torque	1.5 x Running Torque

### Weight

Base 0 Travel [lb]	50
Per Inch of Travel [lb]	0.80
Grease [lb]	1.5