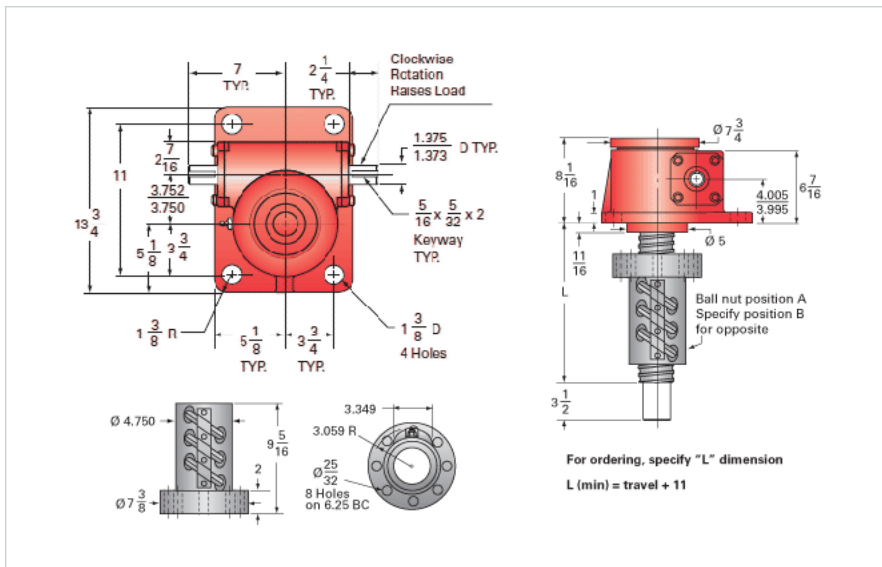


## ActionJac 30HL-BSJ-IR 32:1

Call 800-321-7800 or visit us online at [www.nookindustries.com](http://www.nookindustries.com) to configure and order your ActionJac 30HL-BSJ-IR 32:1 today!



### Details

|                                  |        |
|----------------------------------|--------|
| Capacity [Ton]                   | 30     |
| Gear Ratio                       | 32:1   |
| Turns of Worm per Inch Travel    | 21.33  |
| Torque to Raise 1 lb. [in-lb]    | 0.0191 |
| Lifting Screw Diameter [in]      | 3.00   |
| Screw Lead [in]                  | 1.500  |
| Root Diameter [in]               | 2.480  |
| BackDrive Holding Torque [ft-lb] | 15.0   |
| Tare Drag Torque [in-lb]         | 60     |

### Performance Specifications

|                                        |                      |
|----------------------------------------|----------------------|
| Maximum Allowable Input [hp]           | 3.50                 |
| Maximum Input Torque [in-lb]           | 1144                 |
| Maximum Worm Speed at Rated Load [rpm] | 193                  |
| Maximum Load at 1750 RPM [lb]          | 6600                 |
| Starting Torque                        | 1.5 x Running Torque |

### Weight

|                         |      |
|-------------------------|------|
| Base 0 Travel [lb]      | 220  |
| Per Inch of Travel [lb] | 2.40 |
| Grease [lb]             | 3.5  |