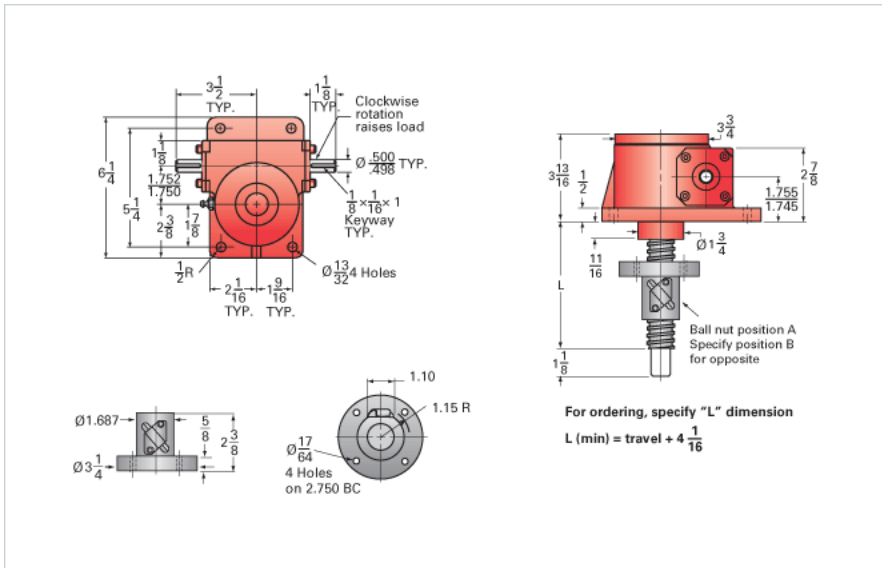


ActionJac 2.5-BSJ-IR 24:1

Call 800-321-7800 or visit us online at www.nookindustries.com to configure and order your ActionJac 2.5-BSJ-IR 24:1 today!



Details

| | |
|----------------------------------|--------|
| Capacity [Ton] | 2.5 |
| Gear Ratio | 24:1 |
| Turns of Worm per Inch Travel | 96 |
| Torque to Raise 1 lb. [in-lb] | 0.0042 |
| Lifting Screw Diameter [in] | 1.00 |
| Screw Lead [in] | 0.250 |
| Root Diameter [in] | 0.820 |
| BackDrive Holding Torque [ft-lb] | 1.5 |
| Tare Drag Torque [in-lb] | 5 |

Performance Specifications

| | |
|--|----------------------|
| Maximum Allowable Input [hp] | 0.50 |
| Maximum Input Torque [in-lb] | 21 |
| Maximum Worm Speed at Rated Load [rpm] | 1800 |
| Maximum Load at 1750 RPM [lb] | 4287 |
| Starting Torque | 1.5 x Running Torque |

Weight

| | |
|-------------------------|------|
| Base 0 Travel [lb] | 17 |
| Per Inch of Travel [lb] | 0.60 |
| Grease [lb] | 0.5 |