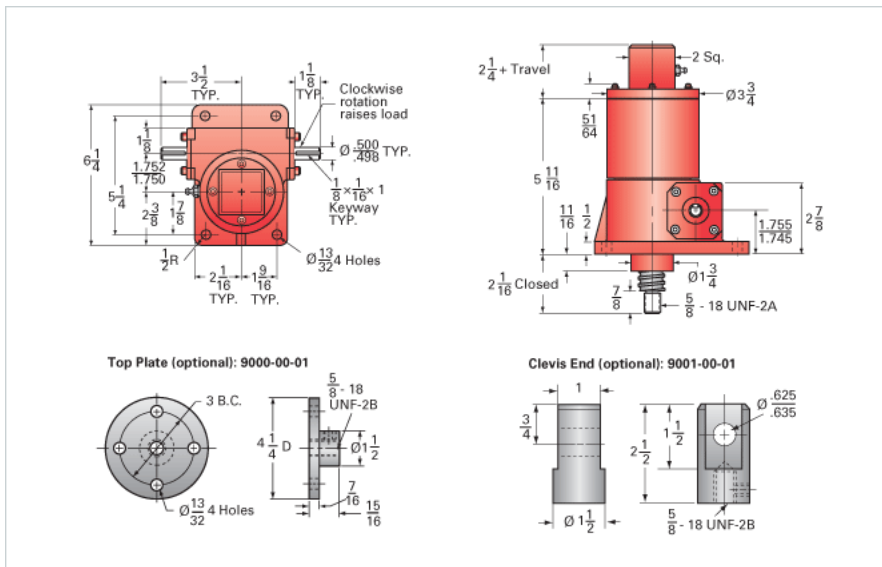


## ActionJac 2.5HL-BSJ-IK 24:1

Call 800-321-7800 or visit us online at [www.nookindustries.com](http://www.nookindustries.com) to configure and order your ActionJac 2.5HL-BSJ-IK 24:1 today!



### Details

|                                  |        |
|----------------------------------|--------|
| Capacity [Ton]                   | 2.5    |
| Gear Ratio                       | 24:1   |
| Turns of Worm per Inch Travel    | 24     |
| Torque to Raise 1 lb. [in-lb]    | 0.0187 |
| Lifting Screw Diameter [in]      | 1.00   |
| Screw Lead [in]                  | 1.000  |
| Root Diameter [in]               | 0.820  |
| BackDrive Holding Torque [ft-lb] | 5.0    |
| Tare Drag Torque [in-lb]         | 5      |

### Performance Specifications

|  |                      |
|--|----------------------|
| Maximum Allowable Input [hp]           | 0.50                 |
| Maximum Input Torque [in-lb]           | 85                   |
| Maximum Worm Speed at Rated Load [rpm] | 337                  |
| Maximum Load at 1750 RPM [lb]          | 964                  |
| Starting Torque                        | 1.5 x Running Torque |

### Weight

|                         |      |
|-------------------------|------|
| Base 0 Travel [lb]      | 17   |
| Per Inch of Travel [lb] | 0.60 |
| Grease [lb]             | 0.5  |