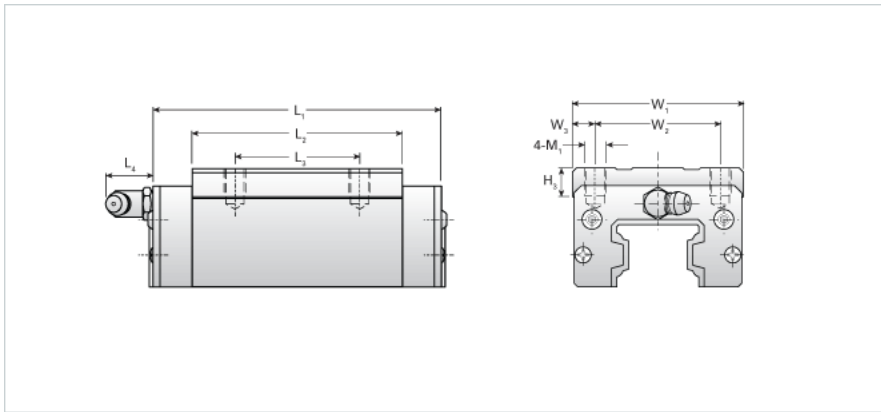
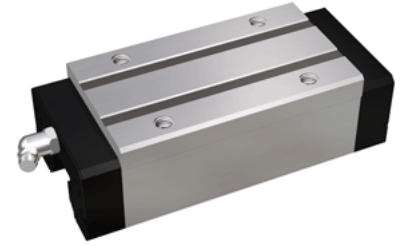


NH30LER

Call 800-321-7800 or visit us online at www.nookindustries.com to configure and order your NH30LER today!



Details

Size [mm] 30

Dimensions

L1 [mm] 123
 L2 [mm] 94
 L3 [mm] 60
 L4 [mm] 12
 M1 x l M8X10
 H3 [mm] 8
 W1 [mm] 60
 W2 [mm] 40
 W3 [mm] 10

Forces and Torques

Basic Load Ratings C [kN] 37.55
 Basic Load Ratings C [lbf] 8441
 Basic Load Ratings C0 [kN] 62.56
 Basic Load Ratings C0 [lbf] 14061
 Static Moment Ratings-Ma [kN-m] 0.73
 Static Moment Ratings-Ma [lb-in] 6423
 Static Moment Ratings-Mb [kN-m] 0.73
 Static Moment Ratings-Mb [lb-in] 6423
 Static Moment Ratings-Mc [kN-m] 0.98
 Static Moment Ratings-Mc [lb-in] 8680

Weight

Weight-Block [kg] 1.40

Grease Fitting

Grease Fitting Part Number B-M6F