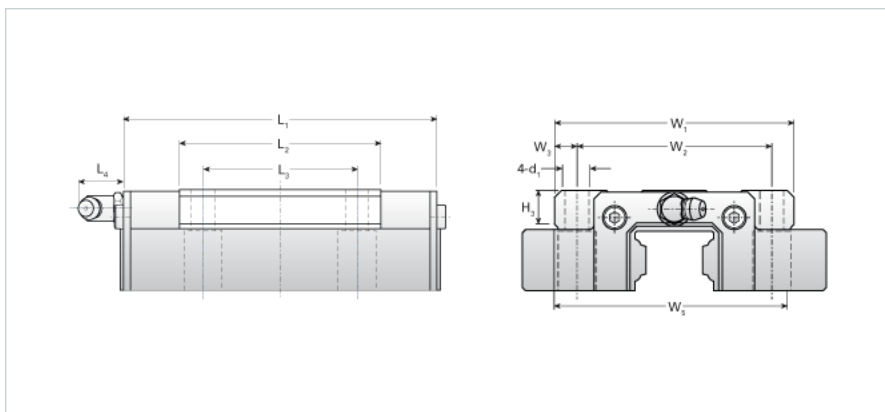
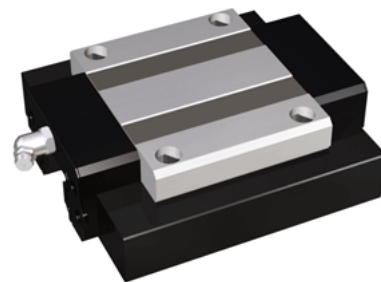


## NH55TB

Call 800-321-7800 or visit us online at [www.nookindustries.com](http://www.nookindustries.com) to configure and order your NH55TB today!



| <b>Details</b>                   |          |
|----------------------------------|----------|
| Size [mm]                        | 55       |
| <b>Dimensions</b>                |          |
| L1 [mm]                          | 189      |
| L2 [mm]                          | 124      |
| L3 [mm]                          | 95       |
| L4 [mm]                          | 12       |
| d1 x l                           | M14x23   |
| H3 [mm]                          | 17       |
| W1 [mm]                          | 140      |
| W2 [mm]                          | 116      |
| W3 [mm]                          | 12       |
| W5 [mm]                          | 171      |
| <b>Forces and Torques</b>        |          |
| Basic Load Ratings C [kN]        | 90.02    |
| Basic Load Ratings C [lbf]       | 20232    |
| Basic Load Ratings C0 [kN]       | 137.09   |
| Basic Load Ratings C0 [lbf]      | 30811    |
| Static Moment Ratings-Ma [kN-m]  | 2.22     |
| Static Moment Ratings-Ma [lb-in] | 19617    |
| Static Moment Ratings-Mb [kN-m]  | 2.22     |
| Static Moment Ratings-Mb [lb-in] | 19617    |
| Static Moment Ratings-Mc [kN-m]  | 4.25     |
| Static Moment Ratings-Mc [lb-in] | 37671    |
| <b>Weight</b>                    |          |
| Weight-Block [kg]                | 4.40     |
| <b>Grease Fitting</b>            |          |
| Grease Fitting Part Number       | B-PT-1/8 |