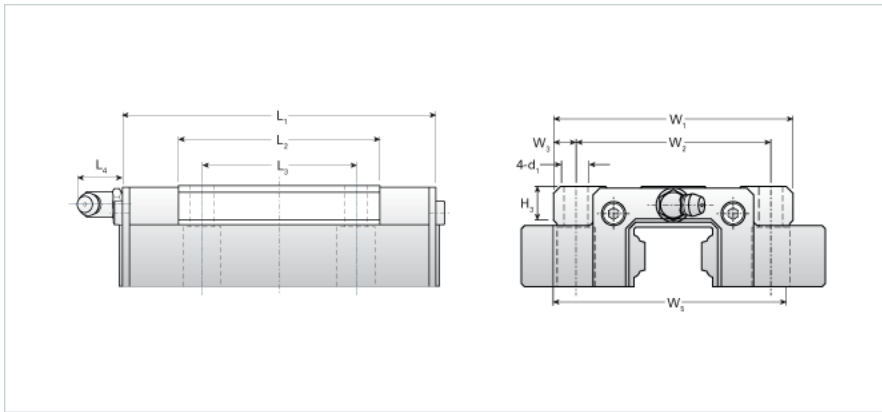
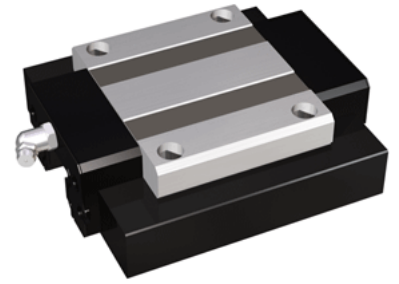


## NH25TB

Call 800-321-7800 or visit us online at [www.nookindustries.com](http://www.nookindustries.com) to configure and order your NH25TB today!



<b>Details</b>	
Size [mm]	25
<b>Dimensions</b>	
L1 [mm]	97
L2 [mm]	59
L3 [mm]	45
L4 [mm]	10
d1 x l	M7x12
H3 [mm]	10
W1 [mm]	70
W2 [mm]	57
W3 [mm]	6.5
W5 [mm]	89
<b>Forces and Torques</b>	
Basic Load Ratings C [kN]	20.00
Basic Load Ratings C [lbf]	4496
Basic Load Ratings C0 [kN]	34.41
Basic Load Ratings C0 [lbf]	7736
Static Moment Ratings-Ma [kN-m]	0.27
Static Moment Ratings-Ma [lb-in]	2430
Static Moment Ratings-Mb [kN-m]	0.27
Static Moment Ratings-Mb [lb-in]	2430
Static Moment Ratings-Mc [kN-m]	0.44
Static Moment Ratings-Mc [lb-in]	3906
<b>Weight</b>	
Weight-Block [kg]	0.69
<b>Grease Fitting</b>	
Grease Fitting Part Number	B-M6F