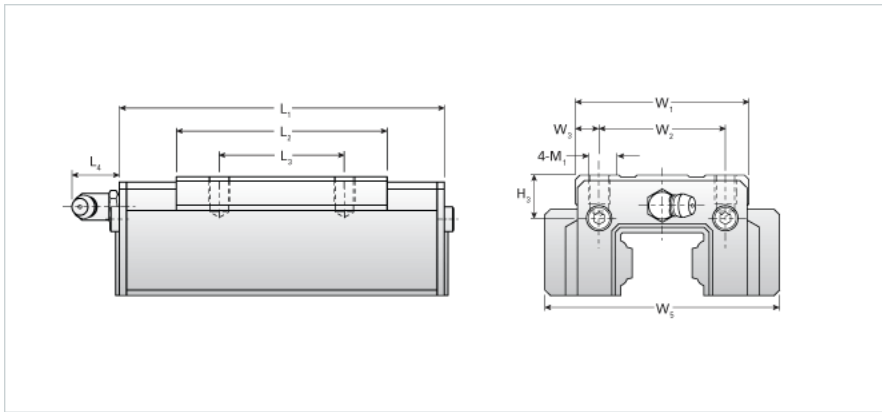
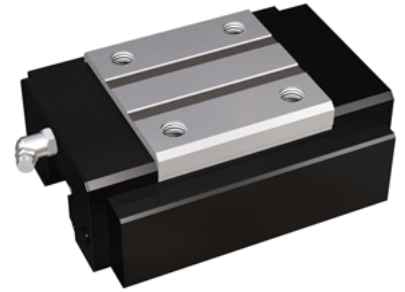


NH15TR

Call 800-321-7800 or visit us online at www.nookindustries.com to configure and order your NH15TR today!



Details

Size [mm] 15

Dimensions

H3 [mm] 6
 L1 [mm] 71
 L2 [mm] 41
 L3 [mm] 26
 L4 [mm] 3
 M1 x l M4X5
 W1 [mm] 34
 W2 [mm] 26
 W3 [mm] 4
 W5 [mm] 48

Forces and Torques

Basic Load Ratings C [kN] 8.43
 Basic Load Ratings C [lbf] 1895
 Basic Load Ratings C0 [kN] 13.53
 Basic Load Ratings C0 [lbf] 3041
 Static Moment Ratings-Ma [kN-m] 0.07
 Static Moment Ratings-Ma [lb-in] 608
 Static Moment Ratings-Mb [kN-m] 0.07
 Static Moment Ratings-Mb [lb-in] 608
 Static Moment Ratings-Mc [kN-m] 0.13
 Static Moment Ratings-Mc [lb-in] 1128

Weight

Weight-Block [kg] 0.19

Grease Fitting

Grease Fitting Part Number PB1021B