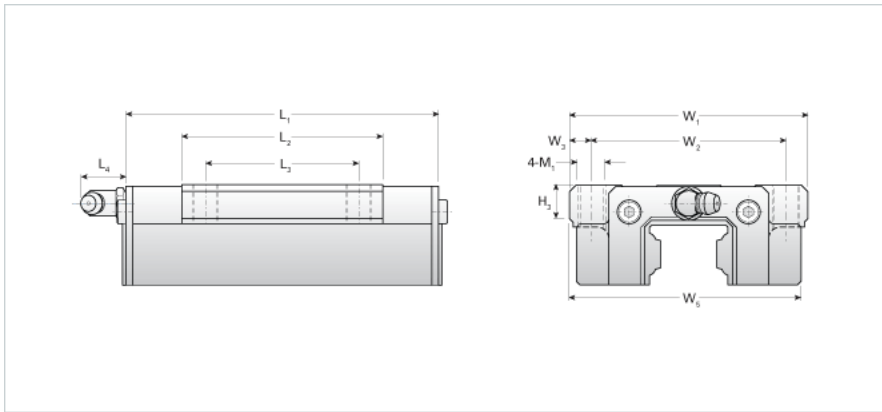
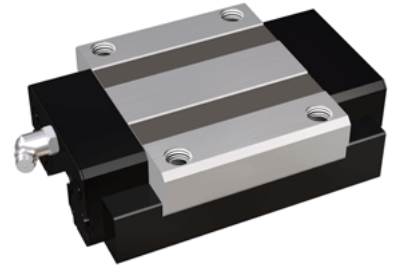


NH65TA

Call 800-321-7800 or visit us online at www.nookindustries.com to configure and order your NH65TA today!



Details

Size [mm] 65

Dimensions

L1 [mm]	225
L2 [mm]	148
L3 [mm]	110
L4 [mm]	16
M1 x l	M16X29
H3 [mm]	20
W1 [mm]	170
W2 [mm]	142
W3 [mm]	14
W5 [mm]	162

Forces and Torques

Basic Load Ratings C [kN]	141.11
Basic Load Ratings C [lbf]	31714
Basic Load Ratings C0 [kN]	215.15
Basic Load Ratings C0 [lbf]	48354
Static Moment Ratings-Ma [kN-m]	4.21
Static Moment Ratings-Ma [lb-in]	37237
Static Moment Ratings-Mb [kN-m]	4.21
Static Moment Ratings-Mb [lb-in]	37237
Static Moment Ratings-Mc [kN-m]	7.38
Static Moment Ratings-Mc [lb-in]	65360

Weight

Weight-Block [kg] 8.4

Grease Fitting

Grease Fitting Part Number B-PT 1/8