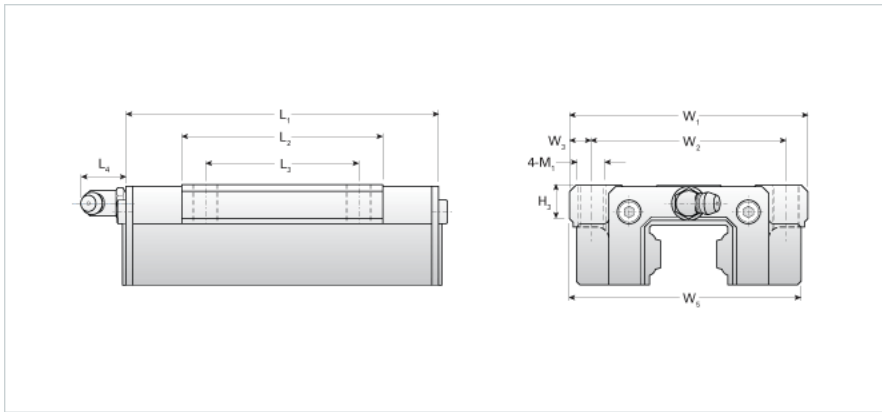
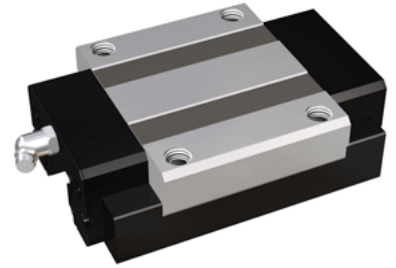


NH25TA

Call 800-321-7800 or visit us online at www.nookindustries.com to configure and order your NH25TA today!



Details

Size [mm] 25

Dimensions

L1 [mm] 97
 L2 [mm] 59
 L3 [mm] 45
 L4 [mm] 12
 M1 x l M8X12
 H3 [mm] 10
 W1 [mm] 70
 W2 [mm] 57
 W3 [mm] 6.5
 W5 [mm] 66

Forces and Torques

Basic Load Ratings C [kN] 20.00
 Basic Load Ratings C [lbf] 4496
 Basic Load Ratings C0 [kN] 34.41
 Basic Load Ratings C0 [lbf] 7736
 Static Moment Ratings-Ma [kN-m] 0.27
 Static Moment Ratings-Ma [lb-in] 2430
 Static Moment Ratings-Mb [kN-m] 0.27
 Static Moment Ratings-Mb [lb-in] 2430
 Static Moment Ratings-Mc [kN-m] 0.44
 Static Moment Ratings-Mc [lb-in] 3906

Weight

Weight-Block [kg] 0.6

Grease Fitting

Grease Fitting Part Number B-M6F