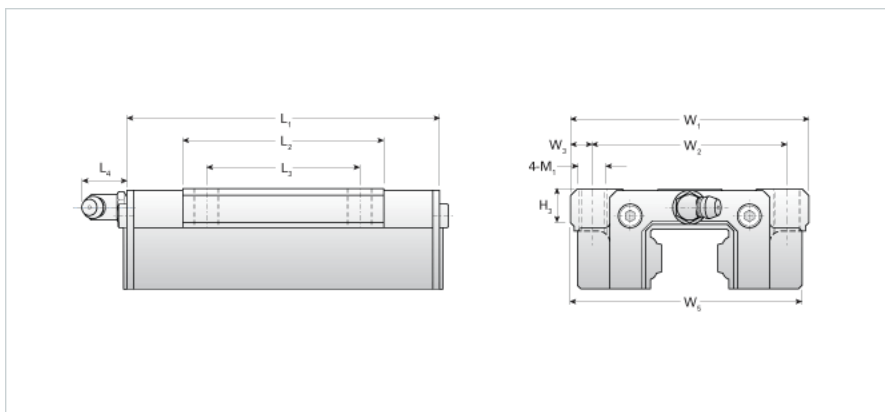
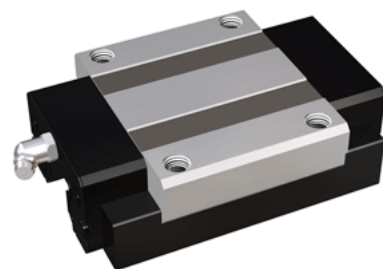


## NH15TA

Call 800-321-7800 or visit us online at [www.nookindustries.com](http://www.nookindustries.com) to configure and order your NH15TA today!



| Details                          |           |
|----------------------------------|-----------|
| Size [mm]                        | 15        |
| Dimensions                       |           |
| L1 [mm]                          | 71        |
| L2 [mm]                          | 38.5      |
| L3 [mm]                          | 30        |
| L4 [mm]                          | 0         |
| M1 x l                           | M5X7      |
| H3 [mm]                          | 7         |
| W1 [mm]                          | 47        |
| W2 [mm]                          | 38        |
| W3 [mm]                          | 4.5       |
| W5 [mm]                          | 46.5      |
| Forces and Torques               |           |
| Basic Load Ratings C [kN]        | 8.43      |
| Basic Load Ratings C [lbf]       | 1895      |
| Basic Load Ratings C0 [kN]       | 13.53     |
| Basic Load Ratings C0 [lbf]      | 3041      |
| Static Moment Ratings-Ma [kN-m]  | 0.07      |
| Static Moment Ratings-Ma [lb-in] | 608       |
| Static Moment Ratings-Mb [kN-m]  | 0.07      |
| Static Moment Ratings-Mb [lb-in] | 608       |
| Static Moment Ratings-Mc [kN-m]  | 0.13      |
| Static Moment Ratings-Mc [lb-in] | 1128      |
| Weight                           |           |
| Weight-Block [kg]                | 0.2       |
| Grease Fitting                   |           |
| Grease Fitting Part Number       | NAS516-1A |