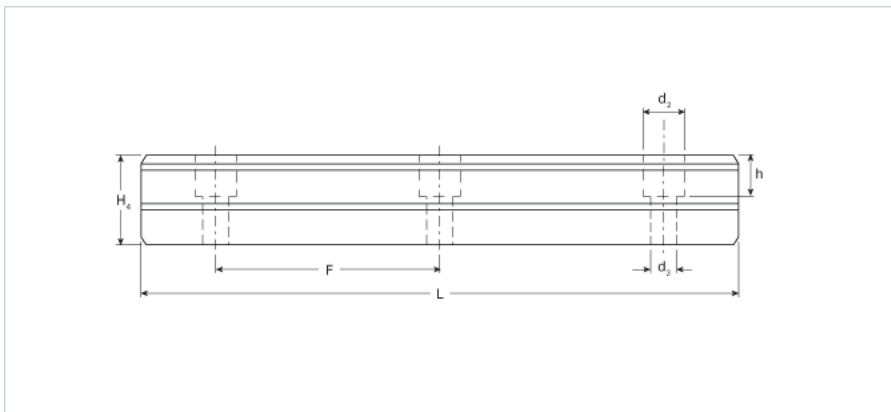


NH-25

Call 800-321-7800 or visit us online at www.nookindustries.com to configure and order your NH-25 today!



Details

Size [mm]	25
Type	Standard

Dimensions

d2 [mm]	11
d3 [mm]	7
h [mm]	11
H4 [mm]	24
F [mm]	60
W [mm]	23
Maximum Length [mm]	4000

Weight

Weights-Rail [kg/m]	3.2
---------------------	-----