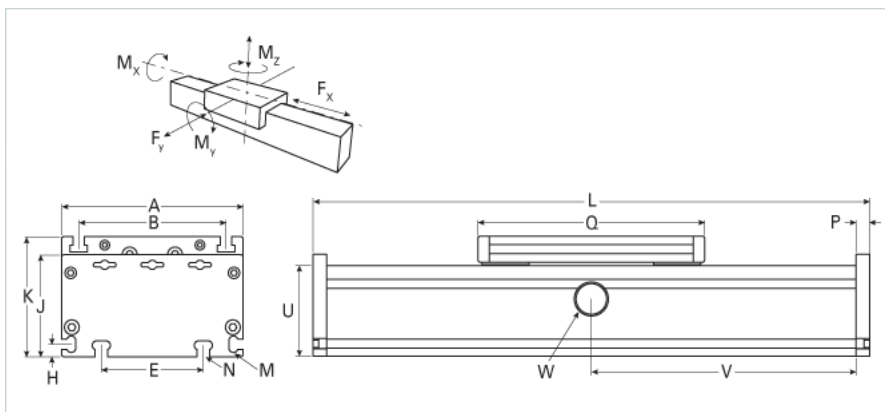
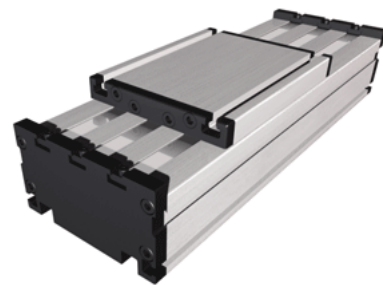


DLR 200

Call 800-321-7800 or visit us online at www.nookindustries.com to configure and order your DLR 200 today!



| Details | |
|--|----------|
| Size | 200 |
| Dimensions | |
| Basic Length L [mm] | 320 |
| A [mm] | 200 |
| B [mm] | 160 |
| E [mm] | 140 |
| H [mm] | 15 |
| J [mm] | 110 |
| K [mm] | 129 |
| M | M8 |
| N | M10 |
| O | M10 |
| P [mm] | 15 |
| Q [mm] | 270 |
| U [mm] | 100 |
| Speed | |
| Speed Maximum [m/s] | 8 |
| Forces and Torques | |
| Fx dynamic [N] | - |
| Fy dynamic [N] | 3100 |
| Fz dynamic [N] | 4400 |
| Mx dynamic [Nm] | 510 |
| My dynamic [Nm] | 480 |
| Mz dynamic [Nm] | 275 |
| Fx static [N] | - |
| Fy static [N] | 4400 |
| Fz static [N] | 4900 |
| Mx static [Nm] | 600 |
| My static [Nm] | 560 |
| Mz static [Nm] | 310 |
| Geometrical moments of inertia of aluminum profile | |
| Elastic modulus [N/mm ²] | 70000 |
| Ix [mm ⁴] | 6380000 |
| Iy [mm ⁴] | 33500000 |
| Weight | |
| Additional Weight per 100 mm [kg] {.00} | 2.3 |
| Basic Weight [kg] | 11.4 |