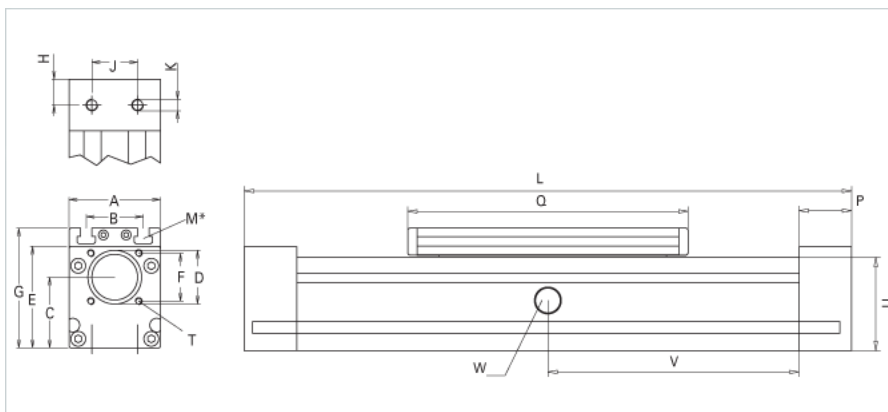


## QSSR 60

Call 800-321-7800 or visit us online at [www.nookindustries.com](http://www.nookindustries.com) to configure and order your QSSR 60 today!



<b>Details</b>	
Size	60
<b>Dimensions</b>	
Basic Length L [mm]	270
A [mm]	60
B [mm]	36
C [mm]	45
D [mm]	37
G [mm]	79
H [mm]	19
J [mm]	18
K	M6
M	M6
P [mm]	38
Q [mm]	188
T	M5
U [mm]	60
<b>Forces and Torques</b>	
Fy [N] 10000 km	990
Fz [N] 10000 km	2500
Mx [Nm] 10000 km	23
My [Nm] 10000 km	143
Mz [Nm] 10000 km	125
Fy [N] 5000 km	1410
Fz [N] 5000 km	3520
Mx [Nm] 5000 km	33
My [Nm] 5000 km	190
Mz [Nm] 5000 km	176
<b>Geometrical moments of inertia of aluminum profile</b>	
Elastic modulus [N/mm <sup>2</sup> ]	70000
Ix [mm <sup>4</sup> ]	430000
Iy [mm <sup>4</sup> ]	480000
<b>Weight</b>	
Weight Per 100 mm [kg]	0.3
Basic Weight [kg]	3.1