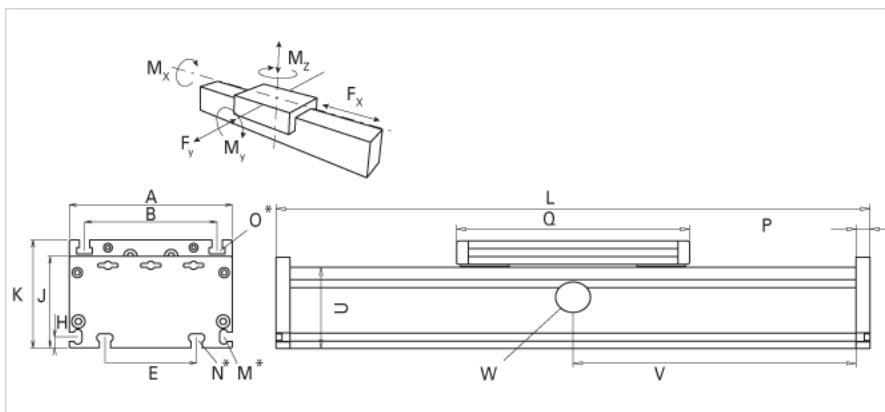
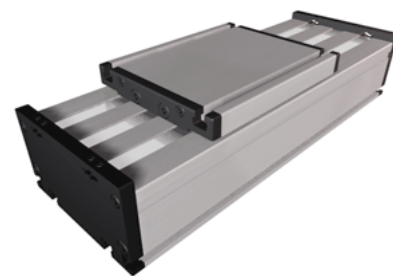


DSR 200

Call 800-321-7800 or visit us online at www.nookindustries.com to configure and order your DSR 200 today!



Details	
Size	200
Dimensions	
Basic Length L [mm]	320
A [mm]	200
B [mm]	160
E [mm]	140
H [mm]	15
J [mm]	110
K [mm]	129
M	M8
N	M10
O	M10
P [mm]	15
Q [mm]	270
U [mm]	100
Speed	
Speed Maximum [m/s]	5
Forces and Torques	
Fy [N] 10000 km	4092
Fz [N] 10000 km	8977
Mx [Nm] 10000 km	597
My [Nm] 10000 km	646
Mz [Nm] 10000 km	684
Fy [N] 5000 km	5155
Fz [N] 5000 km	11311
Mx [Nm] 5000 km	752
My [Nm] 5000 km	813
Mz [Nm] 5000 km	862
Geometrical moments of inertia of aluminum profile	
Elastic modulus [N/mm ²]	70000
Ix [mm ⁴]	4810000
Iy [mm ⁴]	26000000
Weight	
Additional Weight per 100 mm [kg]	2.90
Basic Weight [kg]	15.0