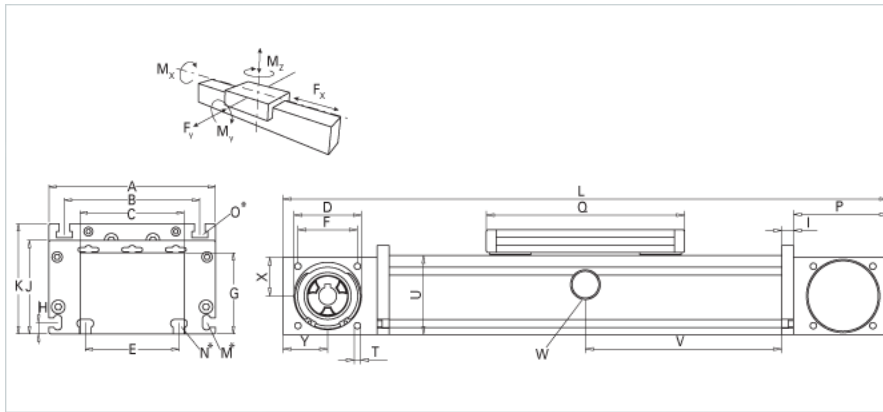
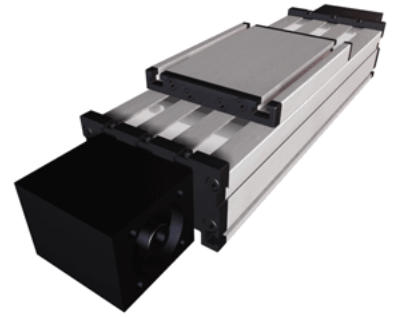


## DSZ 160

Call 800-321-7800 or visit us online at [www.nookindustries.com](http://www.nookindustries.com) to configure and order your DSZ 160 today!



### Details

Size	160
Belt	8M30/8M50
mm/Rev	176/224
Number of Teeth	22/28

### Dimensions

Basic Length L [mm]	440
A [mm]	160
B [mm]	130
C [mm]	100
D [mm]	68
E [mm]	90
F [mm]	60
G [mm]	78
H [mm]	11
I [mm]	12
J [mm]	90
K [mm]	106
M	M6
N	M8
O	M8
P [mm]	95
Q [mm]	200
T	M8
U [mm]	80
X [mm]	39
Y [mm]	45

### Speed

Speed Maximum [m/s]	5
---------------------	---

### Forces and Torques

No-load torque with cover bands	2.1
No-load torque without cover bands	1.5
F <sub>x</sub> [N] 10000 km	1800
F <sub>y</sub> [N] 10000 km	3900
F <sub>z</sub> [N] 10000 km	5020
M <sub>x</sub> [Nm] 10000 km	255
M <sub>y</sub> [Nm] 10000 km	262
M <sub>z</sub> [Nm] 10000 km	258
F <sub>x</sub> [N] 5000 km	1900
F <sub>y</sub> [N] 5000 km	5570
F <sub>z</sub> [N] 5000 km	7050
M <sub>x</sub> [Nm] 5000 km	358
M <sub>y</sub> [Nm] 5000 km	369
M <sub>z</sub> [Nm] 5000 km	364
Tensile force 0.2 sec [N]	2090
Tensile force permanent [N]	1900

### Geometrical moments of inertia of aluminum profile

Elastic modulus [N/mm <sup>2</sup> ]	70000
I <sub>x</sub> [mm <sup>4</sup> ]	2130000
I <sub>y</sub> [mm <sup>4</sup> ]	12330000

### Weight

Additional Weight per 100 mm [kg]	1.90
Basic Weight [kg]	12.0

### Values for Calculating Inertias

Pulley Material	Aluminum
Pulley Diameter [mm]	56.02
Effective Pulley Width [mm]	100
Belt Weight [kg/m]	0.256
Standard Carriage Weight [kg]	2.25
No-load torque (w/cover bands) [Nm]	2.1
No-load torque (w/o cover bands) [Nm]	1.5
Friction Coefficient	0.01