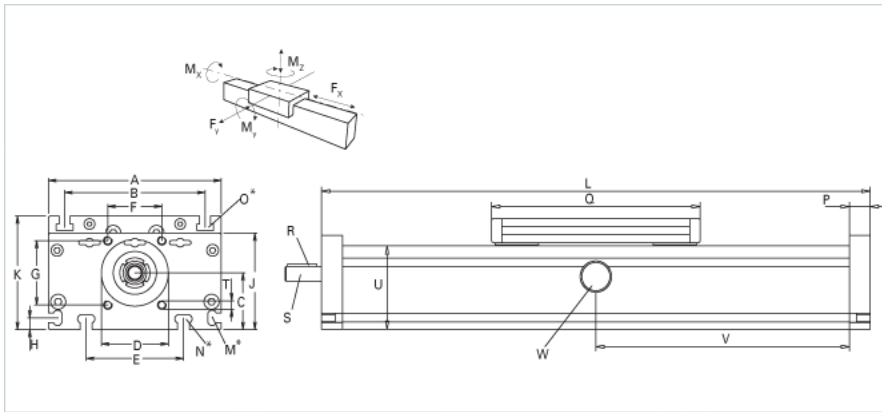
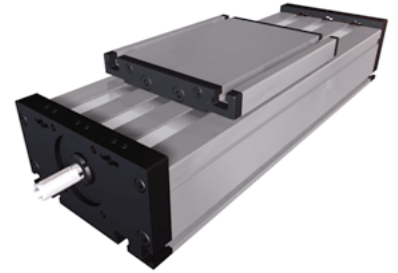


## DST 200

Call 800-321-7800 or visit us online at [www.nookindustries.com](http://www.nookindustries.com) to configure and order your DST 200 today!



### Details

Size	200
Screw Options	32x6/32x12
Screw Type	Trapexoidal

### Dimensions

Basic Length L [mm]	320
A [mm]	200
B [mm]	160
C [mm]	66
D [mm]	68
E [mm]	140
F [mm]	60
G [mm]	60
H [mm]	15
J [mm]	110
K [mm]	129
M	M8
N	M10
O	M10
P [mm]	20
Q [mm]	270
Shaft R Key [mm]	6X6X40
Shaft S Diameter x Length [mm]	22 h6x45
T	M8
U [mm]	100

### Forces and Torques

F <sub>x</sub> [N] 10000 km	8000
F <sub>y</sub> [N] 10000 km	11080
F <sub>z</sub> [N] 10000 km	14600
M <sub>x</sub> [Nm] 10000 km	915
M <sub>y</sub> [Nm] 10000 km	980
M <sub>z</sub> [Nm] 10000 km	960
F <sub>x</sub> [N] 5000 km	10000
F <sub>y</sub> [N] 5000 km	15600
F <sub>z</sub> [N] 5000 km	20600
M <sub>x</sub> [Nm] 5000 km	1285
M <sub>y</sub> [Nm] 5000 km	1375
M <sub>z</sub> [Nm] 5000 km	1345
No-load torque [Nm]	1.5

### Geometrical moments of inertia of aluminum profile

Elastic modulus [N/mm <sup>2</sup> ]	70000
I <sub>x</sub> [mm <sup>4</sup> ]	4810000
I <sub>y</sub> [mm <sup>4</sup> ]	26000000

### Weight

Weight Per 100 mm [kg]	3.5
Basic Weight [kg]	19.4