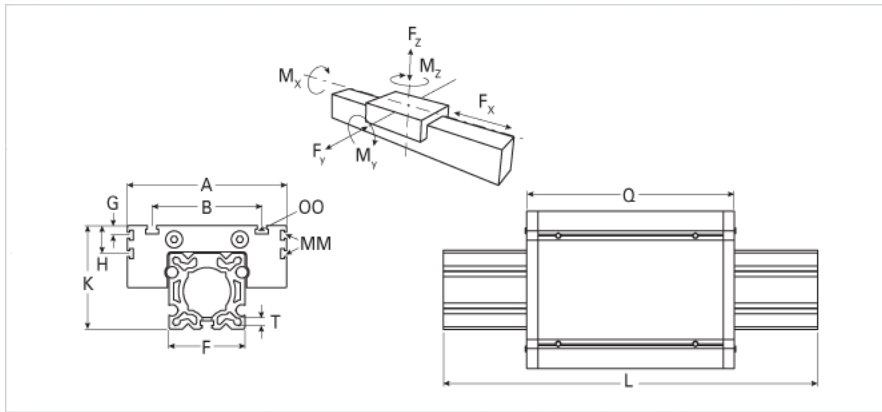
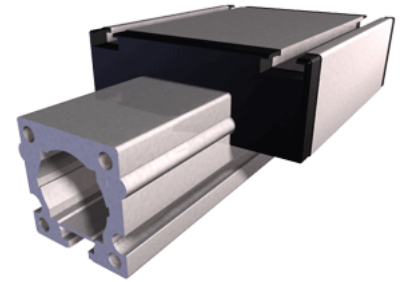


## ER 80

Call 800-321-7800 or visit us online at [www.nookindustries.com](http://www.nookindustries.com) to configure and order your ER 80 today!



### Details

Size 80

### Dimensions

Basic Length L [mm]	200
A [mm]	170
B [mm]	117
F [mm]	64
G [mm]	10
H [mm]	30
J	M6-M10
K [mm]	110
MM	M6
OO	M10
Q [mm]	194
T-Diameter	M8

### Forces and Torques

Fx dynamic [N]	-
Fy dynamic [N]	2000
Fz dynamic [N]	1100
Mx dynamic [Nm]	55
My dynamic [Nm]	80
Mz dynamic [Nm]	120
Fx static [N]	-
Fy static [N]	3000
Fz static [N]	1700
Mx static [Nm]	90
My static [Nm]	110
Mz static [Nm]	150

### Geometrical moments of inertia of aluminum profile

Elastic modulus [N/mm <sup>2</sup> ]	70000
Ix [mm <sup>4</sup> ]	1899000
Iy [mm <sup>4</sup> ]	1897000

### Weight

Additional Weight per 100 mm [kg]	0.90
Basic Weight [kg]	3.7