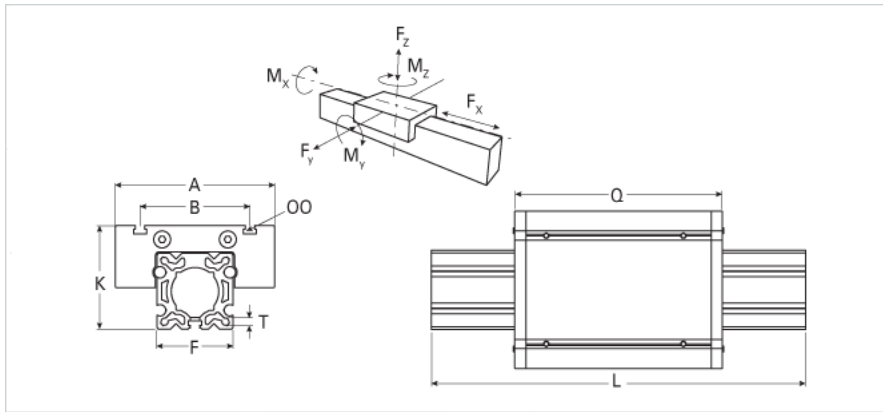
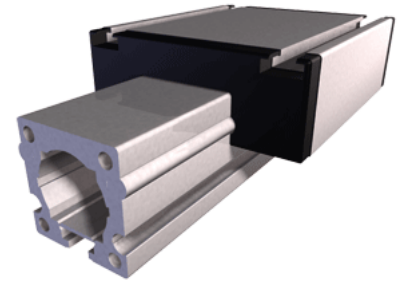


ER 60

Call 800-321-7800 or visit us online at www.nookindustries.com to configure and order your ER 60 today!



Details

Size 60

Dimensions

Basic Length L [mm]	170
A [mm]	144
B [mm]	96
F [mm]	48
G [mm]	-
H [mm]	-
J	M6-M10
K [mm]	79
MM	-
OO	M8
Q [mm]	168
T-Diameter	M6

Forces and Torques

Fx dynamic [N]	-
Fy dynamic [N]	2000
Fz dynamic [N]	1100
Mx dynamic [Nm]	43
My dynamic [Nm]	70
Mz dynamic [Nm]	100
Fx static [N]	-
Fy static [N]	3000
Fz static [N]	1700
Mx static [Nm]	67
My static [Nm]	90
Mz static [Nm]	120

Geometrical moments of inertia of aluminum profile

Elastic modulus [N/mm ²]	70000
Ix [mm ⁴]	679000
Iy [mm ⁴]	697000

Weight

Additional Weight per 100 mm [kg]	0.61
Basic Weight [kg]	2.4