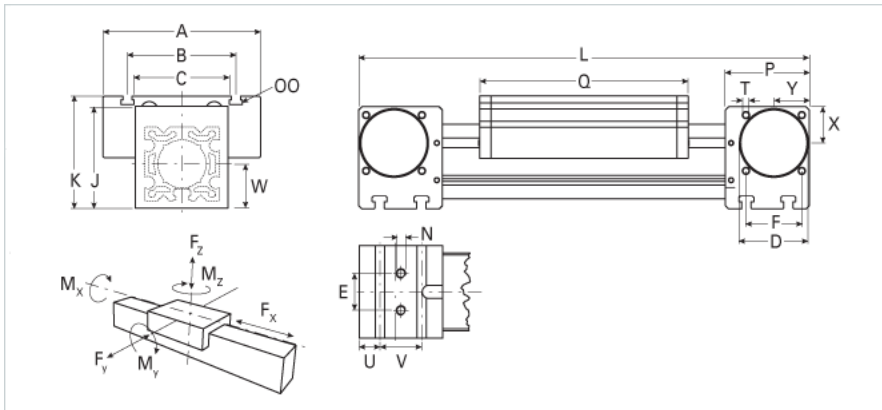
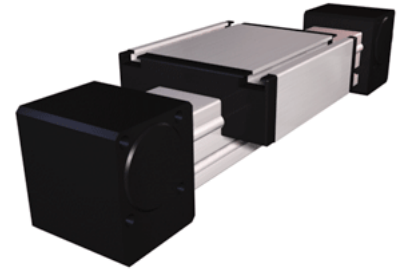


ELRZ 60

Call 800-321-7800 or visit us online at www.nookindustries.com to configure and order your ELRZ 60 today!



Details

Size 60

Dimensions

Basic Length L [mm]	290
A [mm]	144
B [mm]	96
C [mm]	80
D [mm]	47
E [mm]	30
F [mm]	42
G [mm]	-
H [mm]	-
J [mm]	82
K [mm]	90
MM	-
N	M8
OO	M8
P [mm]	59
Q [mm]	168
T-Diameter	M6
U [mm]	14
V [mm]	30
W [mm]	41
X [mm]	27
Y [mm]	27

Forces and Torques

Fx dynamic [N]	-
Fy dynamic [N]	2000
Fz dynamic [N]	1100
Mx dynamic [Nm]	43
My dynamic [Nm]	70
Mz dynamic [Nm]	100
Fx static [N]	-
Fy static [N]	3000
Fz static [N]	1700
Mx static [Nm]	67
My static [Nm]	90
Mz static [Nm]	120

Geometrical moments of inertia of aluminum profile

Elastic modulus [N/mm ²]	70000
Ix [mm ⁴]	679000
Iy [mm ⁴]	697000

Weight

Additional Weight per 100 mm [kg]	0.61
Basic Weight [kg] [.0}	3.4