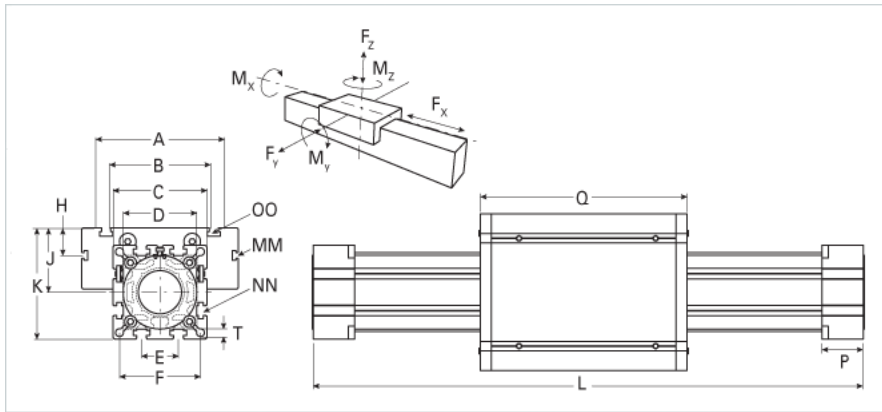
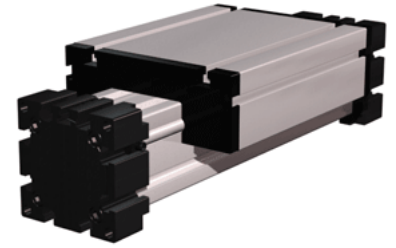


## ELR 100

Call 800-321-7800 or visit us online at [www.nookindustries.com](http://www.nookindustries.com) to configure and order your ELR 100 today!



Details	
Size	100
Dimensions	
Basic Length L [mm]	410
A [mm]	230
B [mm]	155
C [mm]	130
D [mm]	110x1
E [mm]	50
F [mm]	112
G [mm]	-
H [mm]	29
K [mm]	154
MM	M10
NN	M10
OO	M10
P [mm]	55
Q [mm]	300
T-Diameter [mm]	10.5
Forces and Torques	
Fx dynamic [N]	-
Fy dynamic [N]	6500
Fz dynamic [N]	2200
Mx dynamic [Nm]	230
My dynamic [Nm]	270
Mz dynamic [Nm]	500
Fx static [N]	-
Fy static [N]	8000
Fz static [N]	3600
Mx static [Nm]	300
My static [Nm]	400
Mz static [Nm]	750
No-load torque Maximum [m/s]	10
Geometrical moments of inertia of aluminum profile	
Elastic modulus [N/mm <sup>2</sup> ]	70000
Ix [mm <sup>4</sup> ]	4440000
Iy [mm <sup>4</sup> ]	4480000
Weight	
Additional Weight per 100 mm [kg]	1.50
Basic Weight [kg]	15.1