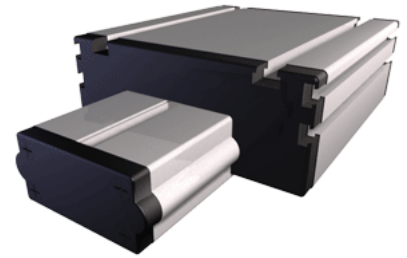
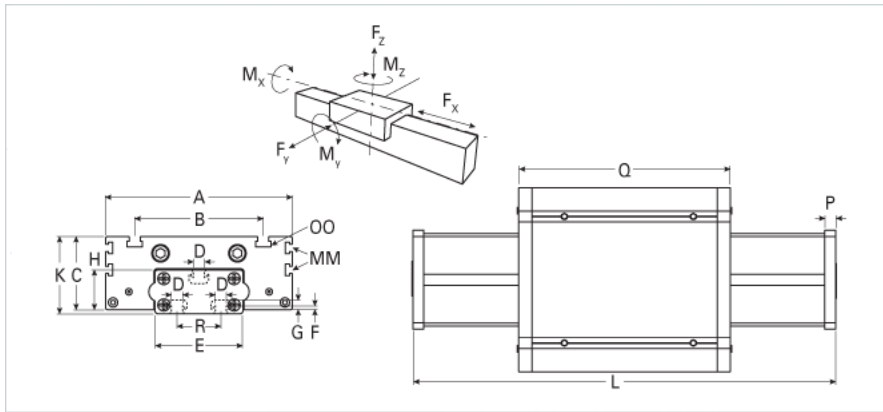


E 80S

Call 800-321-7800 or visit us online at www.nookindustries.com to configure and order your E 80S today!



Details	
Size	80S
Dimensions	
Basic Length L [mm]	245
A [mm]	190
B [mm]	126
C [mm]	67.5
D [mm]	10
E [mm]	80
F [mm]	7
G [mm]	12.5
H [mm]	40
K [mm]	71
MM	M6
OO	M8
P [mm]	10
Q [mm]	214
R [mm]	40
Speed	
Speed Maximum [m/s]	8
Forces and Torques	
Fx dynamic [N]	-
Fy dynamic [N]	3600
Fz dynamic [N]	1800
Mx dynamic [Nm]	140
My dynamic [Nm]	230
Mz dynamic [Nm]	220
Fx static [N]	-
Fy static [N]	4600
Fz static [N]	3000
Mx static [Nm]	170
My static [Nm]	270
Mz static [Nm]	3000
Geometrical moments of inertia of aluminum profile	
Elastic modulus [N/mm ²]	70000
Ix [mm ⁴]	280000
Iy [mm ⁴]	1059000
Weight	
Additional Weight per 100 mm [kg]	0.48
Basic Weight [kg]	4.4