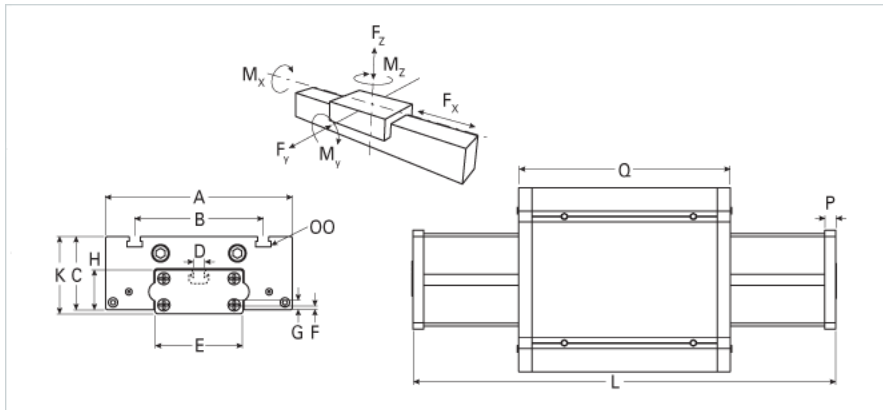
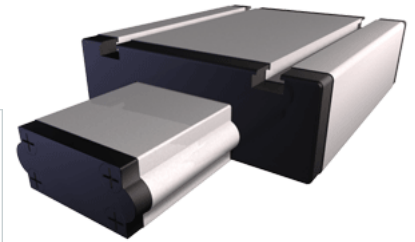


## E 60

Call 800-321-7800 or visit us online at [www.nookindustries.com](http://www.nookindustries.com) to configure and order your E 60 today!



Details	
Size	60
Dimensions	
Basic Length L [mm]	186
A [mm]	144
B [mm]	96
C [mm]	48
D [mm]	10
E [mm]	60
F [mm]	7
G [mm]	12.5
H [mm]	30
K [mm]	49
MM	-
OO	M8
P [mm]	8
Q [mm]	168
R [mm]	-
Speed	
Speed Maximum [m/s]	5
Forces and Torques	
Fx dynamic [N]	-
Fy dynamic [N]	2000
Fz dynamic [N]	1100
Mx dynamic [Nm]	43
My dynamic [Nm]	70
Mz dynamic [Nm]	100
Fx static [N]	-
Fy static [N]	3000
Fz static [N]	1700
Mx static [Nm]	67
My static [Nm]	90
Mz static [Nm]	120
Geometrical moments of inertia of aluminum profile	
Elastic modulus [N/mm <sup>2</sup> ]	70000
Ix [mm <sup>4</sup> ]	170000
Iy [mm <sup>4</sup> ]	610000
Weight	
Additional Weight per 100 mm [kg]	0.20
Basic Weight [kg]	2.2