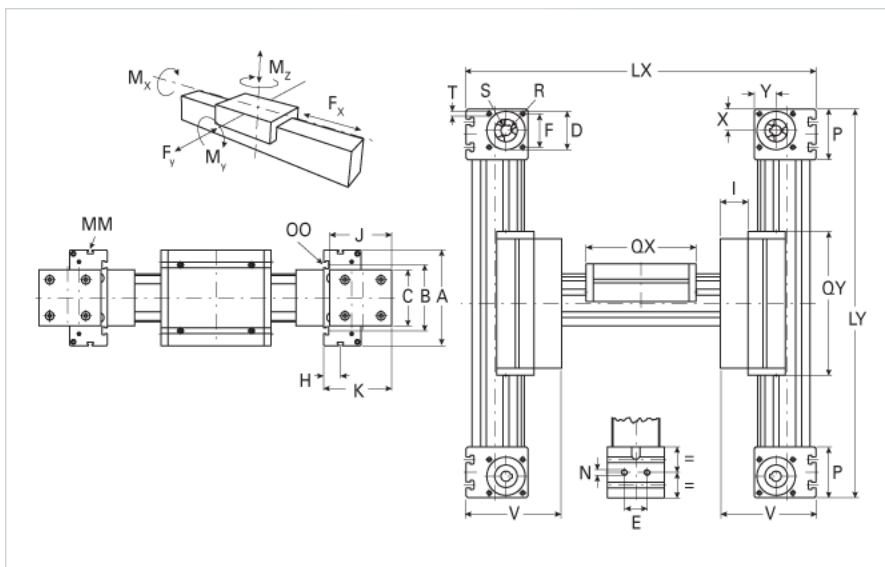


ELZU 100

Call 800-321-7800 or visit us online at www.nookindustries.com to configure and order your ELZU 100 today!



Details

Size	100
Belt	8M50
mm/Rev	256
Number of Teeth	32

Dimensions

Basic length Lx [mm]	758
Basic length Ly [mm]	590
A [mm]	230
B [mm]	155
C [mm]	130
D [mm]	90
E [mm]	50
F [mm]	80
G [mm]	-
H [mm]	30
I [mm]	69
J [mm]	135
K [mm]	154
MM	M10
N	M12
OO	M12
P [mm]	110
Qx [mm]	300
Qy [mm]	360
T	M10
V [mm]	223
X [mm]	50
Y [mm]	50
Shaft Diameter and Length [mm]	22 x 45
Key	6x6x40

Speed

Speed Maximum [m/s]	8
---------------------	---

Forces and Torques

No-load torque [Nm]	2.6
Tensile force 0.2 sec [N]	4000
Tensile force permanent [N]	3600
Fx dynamic [N]	3800
Fy dynamic [N]	6500
Fz dynamic [N]	2200
Mx dynamic [Nm]	230
My dynamic [Nm]	270
Mz dynamic [Nm]	500
Fx static [N]	4000
Fy static [N]	8000
Fz static [N]	3600
Mx static [Nm]	300
My static [Nm]	400

Mz static [Nm]	750
Geometrical moments of inertia of aluminum profile	
Elastic modulus [N/mm ²]	70000
Ix [mm ⁴]	4440000
Iy [mm ⁴]	4480000
Weight	
Additional Weight per 100 mm [kg]	1.40
Basic Weight [kg]	47.3
Values for Calculating Inertias	
Pulley Material	Aluminum
Pulley Diameter [mm]	81.49
Effective Pulley Width [mm]	130
Belt Weight [kg/m]	0.355
Standard Carriage Weight [kg]	6.55
No-load torque [Nm]	1.4
Friction Coefficient	0.01