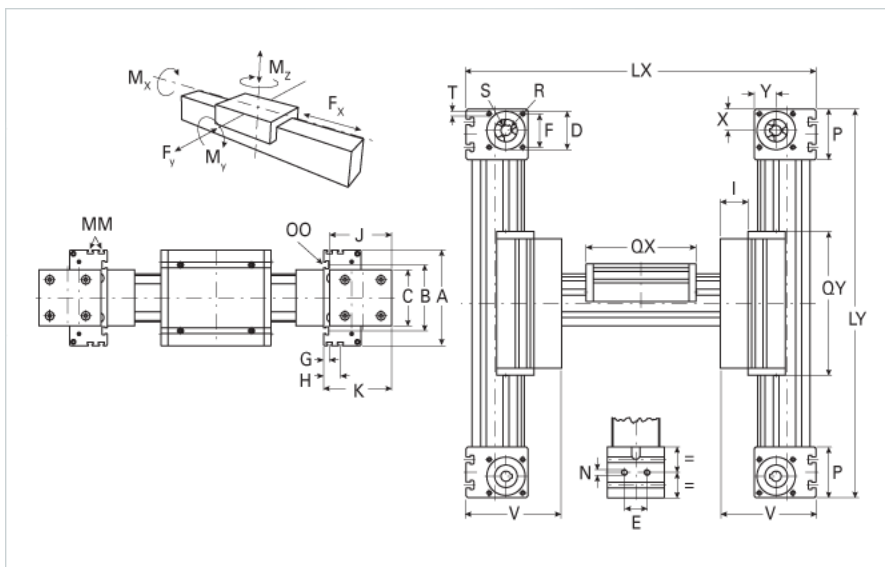


## ELZU 80

Call 800-321-7800 or visit us online at [www.nookindustries.com](http://www.nookindustries.com) to configure and order your ELZU 80 today!



### Details

|                 |      |
|-----------------|------|
| Size            | 80   |
| Belt            | 8M30 |
| mm/Rev          | 192  |
| Number of Teeth | 24   |

### Dimensions

|                                |         |
|--------------------------------|---------|
| Basic length Lx [mm]           | 535     |
| Basic length Ly [mm]           | 435     |
| A [mm]                         | 170     |
| B [mm]                         | 117     |
| C [mm]                         | 100     |
| D [mm]                         | 68      |
| E [mm]                         | 40      |
| F [mm]                         | 60      |
| G [mm]                         | 10      |
| H [mm]                         | 30      |
| I [mm]                         | 44      |
| J [mm]                         | 110     |
| K [mm]                         | 121     |
| MM                             | M6      |
| N                              | M10     |
| OO                             | M10     |
| P [mm]                         | 90      |
| Qx [mm]                        | 194     |
| Qy [mm]                        | 244     |
| T                              | M8      |
| V [mm]                         | 165     |
| X [mm]                         | 39      |
| Y [mm]                         | 38      |
| Shaft Diameter and Length [mm] | 18 x 45 |
| Key                            | 6x6x40  |

### Speed

|                     |   |
|---------------------|---|
| Speed Maximum [m/s] | 6 |
|---------------------|---|

### Forces and Torques

|                             |      |
|-----------------------------|------|
| No-load torque [Nm]         | 1.8  |
| Tensile force 0.2 sec [N]   | 2090 |
| Tensile force permanent [N] | 1900 |
| Fx dynamic [N]              | 1800 |
| Fy dynamic [N]              | 2000 |
| Fz dynamic [N]              | 1100 |
| Mx dynamic [Nm]             | 55   |
| My dynamic [Nm]             | 80   |
| Mz dynamic [Nm]             | 120  |
| Fx static [N]               | 1900 |
| Fy static [N]               | 3000 |
| Fz static [N]               | 1700 |
| Mx static [Nm]              | 90   |
| My static [Nm]              | 110  |

|   |         |
|---|---------|
| Mz static [Nm]  | 150     |
| <b>Geometrical moments of inertia of aluminum profile</b> |         |
| Elastic modulus [N/mm <sup>2</sup> ]                      | 70000   |
| Ix [mm <sup>4</sup> ]                                     | 1899000 |
| Iy [mm <sup>4</sup> ]                                     | 1997000 |
| <b>Weight</b>   |         |
| Additional Weight per 100 mm [kg]                         | 1.00    |
| Basic Weight [kg]   | 31.0    |
| <b>Values for Calculating Inertias</b>                    |         |
| Pulley Material   | Steel   |
| Pulley Diameter [mm]                                      | 61.12   |
| Effective Pulley Width [mm]                               | 100     |
| Belt Weight [kg/m]  | 0.256   |
| Standard Carriage Weight [kg]                             | 2.64    |
| No-load torque [Nm]                                       | 0.9     |
| Friction Coefficient                                      | 0.01    |