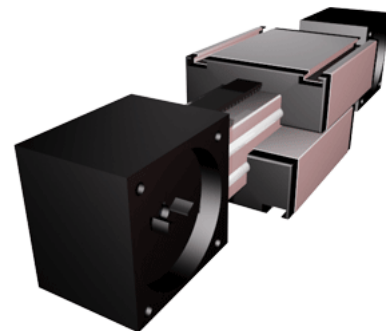
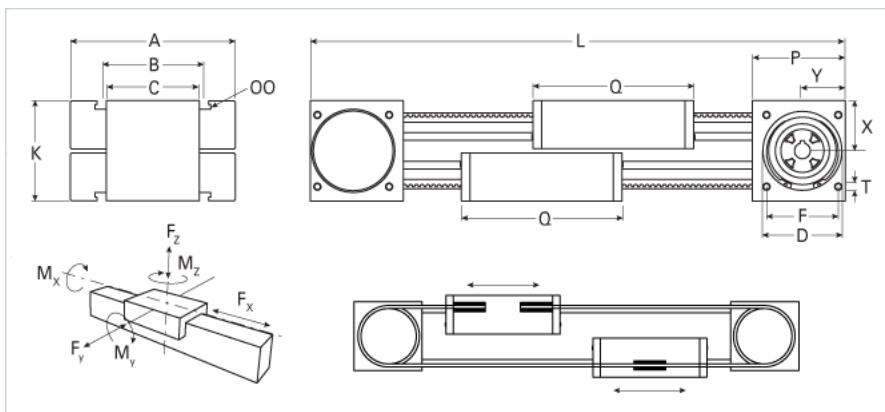


ELZG 30

Call 800-321-7800 or visit us online at www.nookindustries.com to configure and order your ELZG 30 today!



Details	
Size	30
Belt	3M12
mm/Rev	120
Number of Teeth	40
Dimensions	
Basic Length L [mm]	195
A [mm]	70
B [mm]	56
C [mm]	48
D [mm]	47
F [mm]	42
G [mm]	-
H [mm]	-
K [mm]	52
MM	-
OO	M6
P [mm]	55
Q [mm]	82
T	M6
X [mm]	26
Y [mm]	27
Shaft Diameter and Length [mm]	10X 27
Key	3x3x25
Speed	
Speed Maximum [m/s]	2
Forces and Torques	
No-load torque [Nm]	0.2
Tensile force 0.2 sec [N]	280
Tensile force permanent [N]	200
Fx dynamic [N]	180
Fy dynamic [N]	60
Fz dynamic [N]	60
Mx dynamic [Nm]	5
My dynamic [Nm]	6
Mz dynamic [Nm]	7
Fx static [N]	200
Fy static [N]	90
Fz static [N]	90
Mx static [Nm]	10
My static [Nm]	13
Mz static [Nm]	14
Geometrical moments of inertia of aluminum profile	
Elastic modulus [N/mm ²]	70000
Ix [mm ⁴]	40900
Iy [mm ⁴]	40000
Weight	
Additional Weight per 100 mm [kg]	0.13
Basic Weight [kg]	1.1
Values for Calculating Inertias	
Pulley Material	Steel
Pulley Diameter [mm]	38.20
Effective Pulley Width [mm]	48
Belt Weight [kg/m]	0.037

Standard Carriage Weight [kg]	0.18
No-load torque [Nm]	0.2
Friction Coefficient	0.01