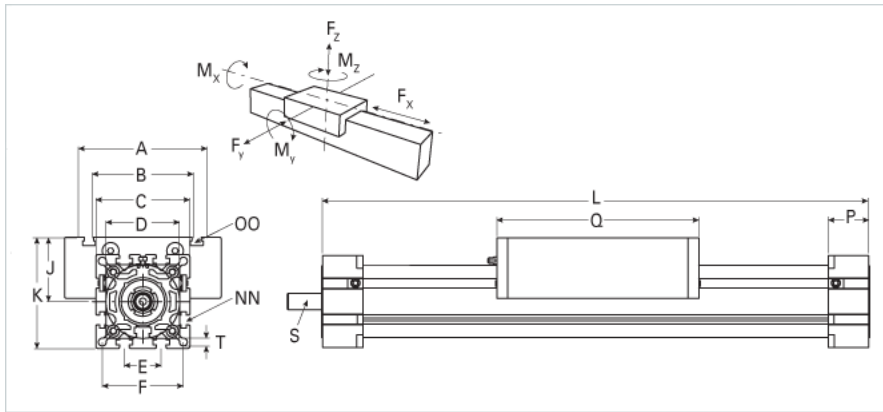
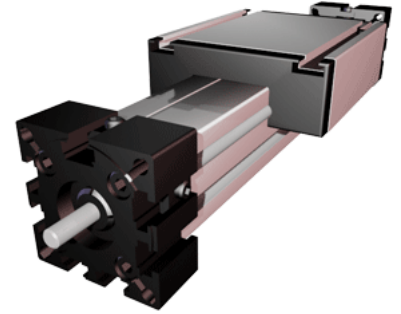


## ELT 30

Call 800-321-7800 or visit us online at [www.nookindustries.com](http://www.nookindustries.com) to configure and order your ELT 30 today!



| Details  |             |
|--|-------------|
| Size   | 30          |
| Screw Options                                      | 10x3        |
| Screw Type   | Trapezoidal |
| Dimensions   |             |
| Basic Length L [mm]                                | 120         |
| A [mm]   | 70          |
| B [mm]   | 56          |
| C [mm]   | 42          |
| D [mm]   | 40x1        |
| E [mm]   | 13          |
| F [mm]   | 35          |
| G [mm]   | -           |
| H [mm]   | -           |
| J [mm]   | 26          |
| K [mm]   | 47          |
| MM   | -           |
| NN   | M6          |
| OO   | M6          |
| P [mm]   | 18          |
| Q [mm]   | 82          |
| R [mm]   | -           |
| S Diameter x Length [mm]                           | 5X15        |
| T-Diameter [mm]                                    | 4.2         |
| Forces and Torques                                 |             |
| No-load torque [Nm]                                | 0.3         |
| Fx dynamic [N]                                     | 600         |
| Fy dynamic [N]                                     | 60          |
| Fz dynamic [N]                                     | 60          |
| Mx dynamic [Nm]                                    | 10          |
| My dynamic [Nm]                                    | 10          |
| Mz dynamic [Nm]                                    | 12          |
| Fx static [N]                                      | 750         |
| Fy static [N]                                      | 90          |
| Fz static [N]                                      | 90          |
| Mx static [Nm]                                     | 12          |
| My static [Nm]                                     | 12          |
| Mz static [Nm]                                     | 15          |
| Geometrical moments of inertia of aluminum profile |             |
| Elastic modulus [N/mm <sup>2</sup> ]               | 70000       |
| Ix [mm <sup>4</sup> ]                              | 40900       |
| Iy [mm <sup>4</sup> ]                              | 40900       |
| Weight   |             |
| Additional Weight per 100 mm [kg]                  | 0.16        |
| Basic Weight [kg]                                  | 0.7         |