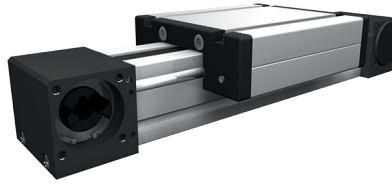




4950 East 49th Street / Cleveland, OH 44125
 Toll free: 800.321.7800
 www.nookindustries.com



CONTACT

Name: _____

Email: _____

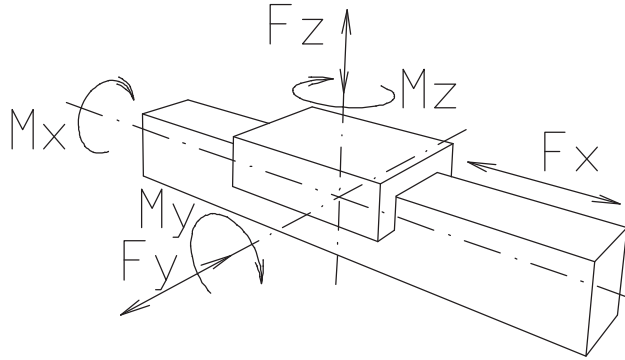
Phone: _____

Company: _____

Address: _____

City: _____ State: ___ Zip: _____

MODULAR ACTUATOR REQUIRED APPLICATION DATA FORM



TRAVEL

Travel: _____ mm

DRIVE TYPE

Drive Type: Belt Linear Screw Rack & Pinion

Lead Accuracy: n/a 0.1mm/300mm 0.05mm/300mm 0.025mm/300mm

LOAD & FORCES

Total Maximum Dynamic Load: F_x : _____ kN F_y : _____ kN F_z : _____ kN

Total Maximum Moment Load: M_x : _____ Nm M_y : _____ Nm M_z : _____ Nm

TRAVEL RATE

Average Speed: _____ m/sec Maximum Acceptable Speed: _____ m/sec

Maximum Acceleration/Deceleration : _____ m/sec²

DESIRED LIFE

Distance per cycle: _____ mm (usually twice the travel)

Number of cycles: _____ / day _____ / year

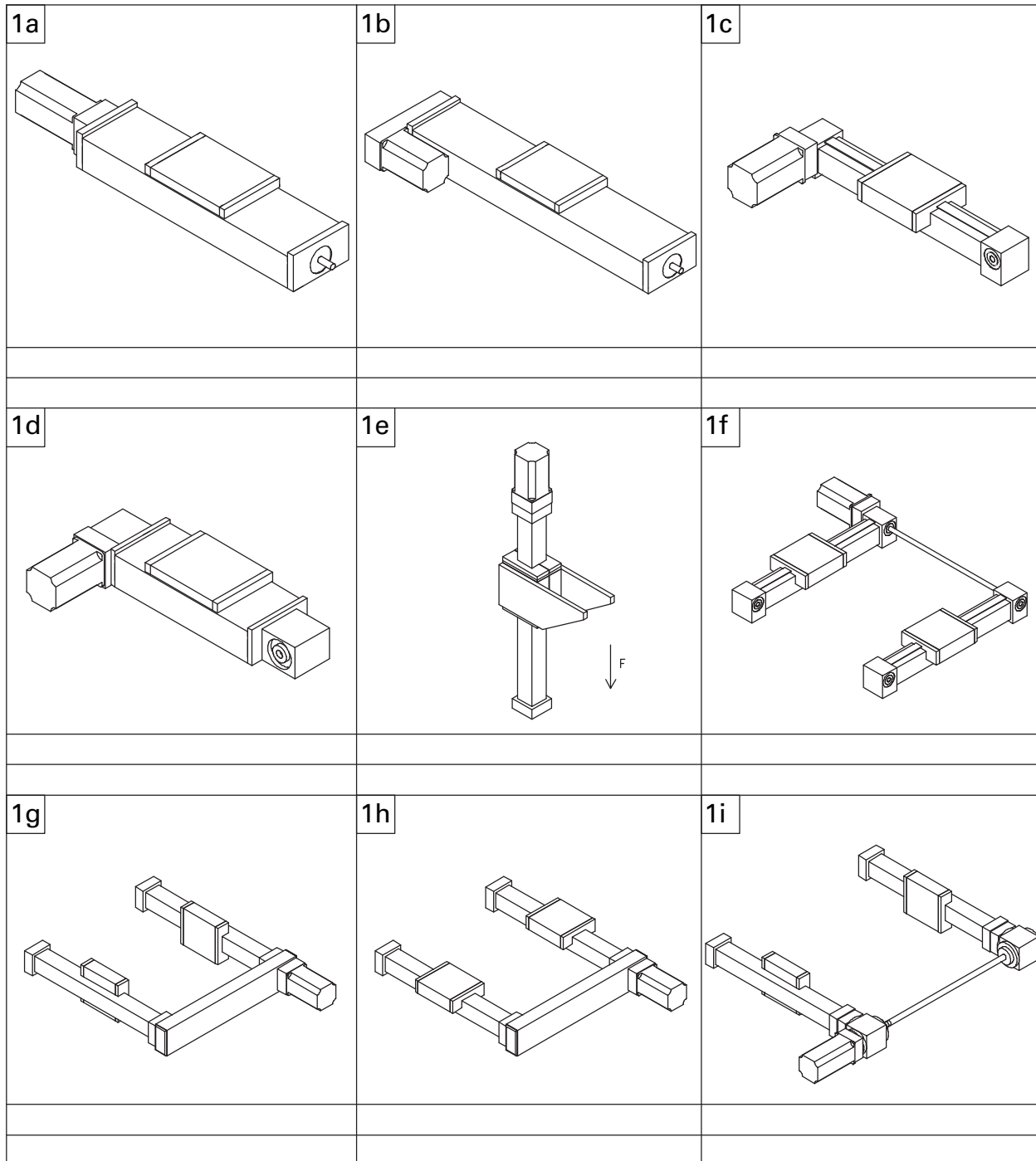
Desired Life: _____ years

CONFIGURATION TYPE

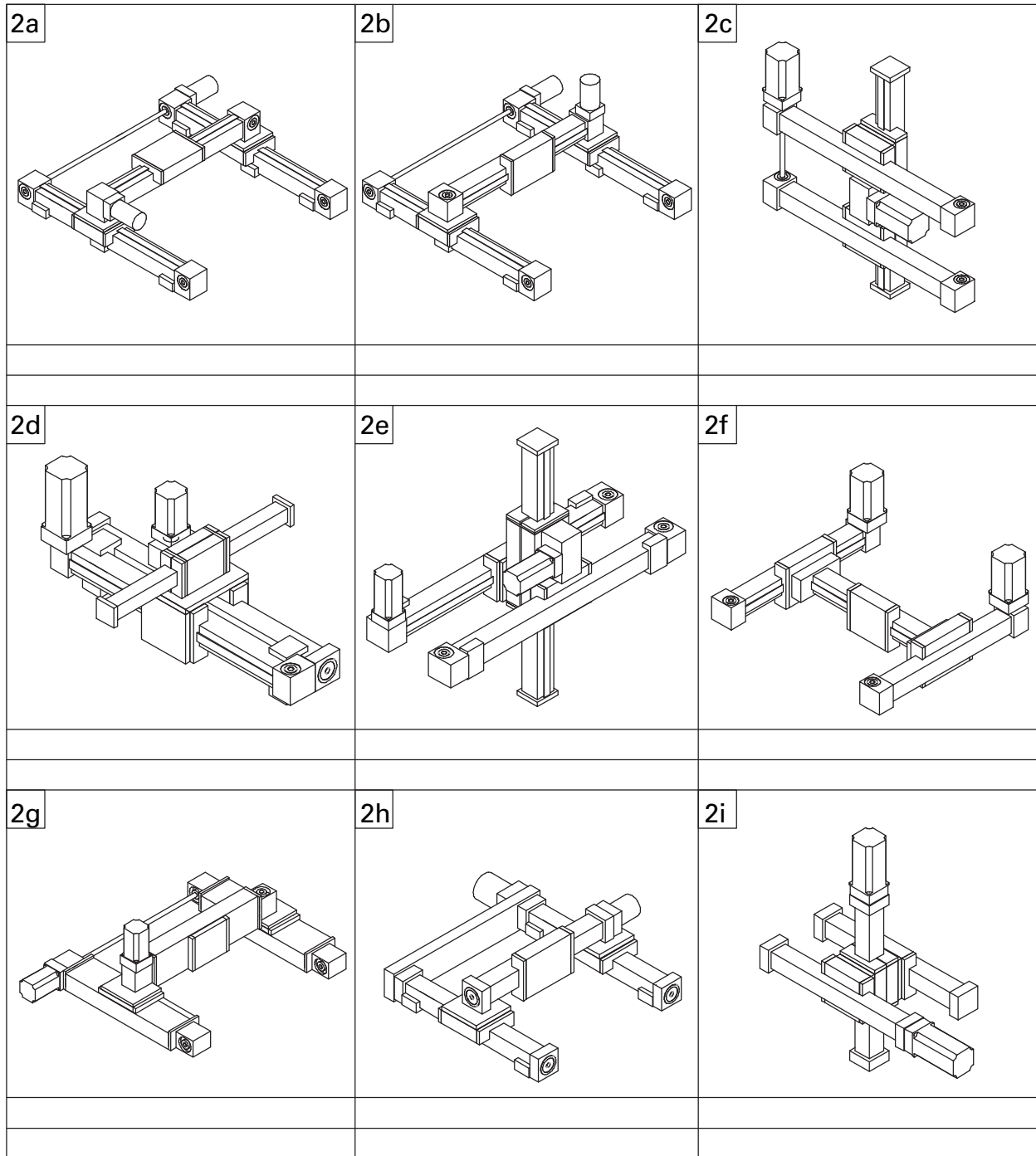
Which configuration best illustrates your application: _____ (Ex. 2f, Refer to page 2 - 4)

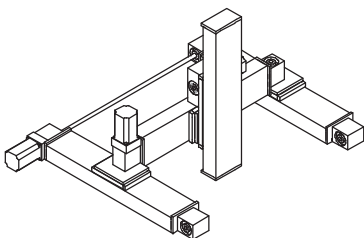
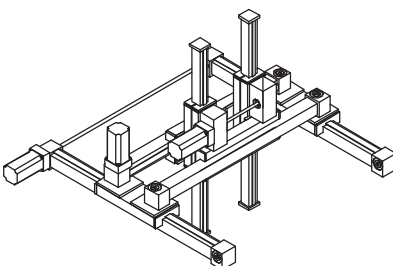
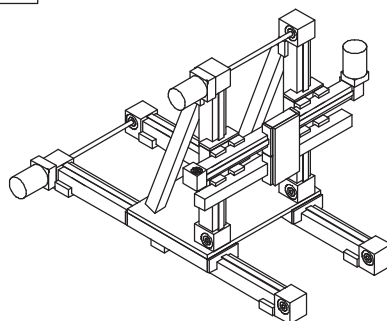
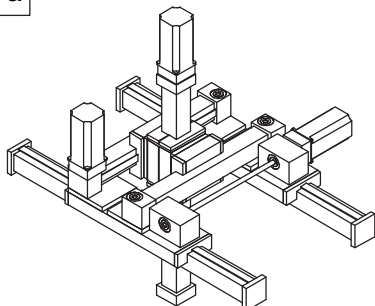
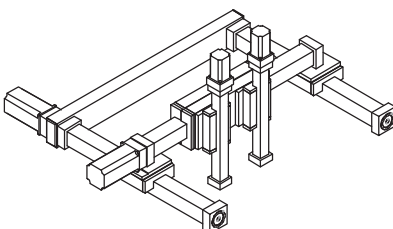
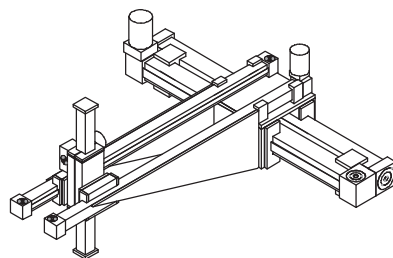
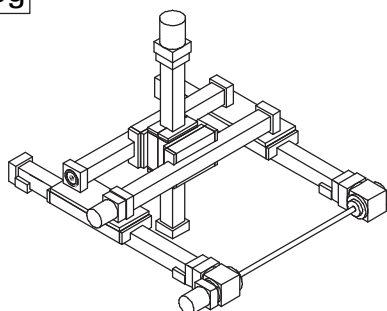
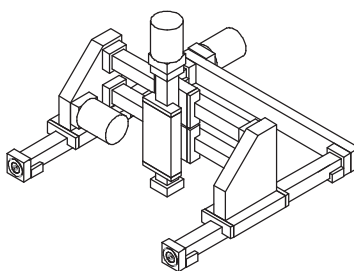
APPLICATION EXPLANATION

Please briefly describe the application. State as many details as possible. Include sketch if available.

SINGLE AXIS SYSTEM


TWO AXIS SYSTEM



THREE AXIS SYSTEM
3a

3b

3c

3d

3e

3f

3g

3h

3i
